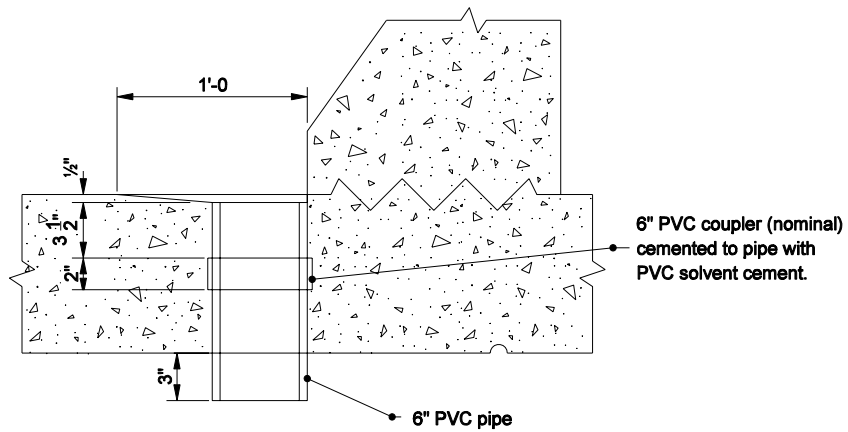


**PLAN**



**SECTION THRU FLOOR DRAIN**

**GENERAL NOTES**

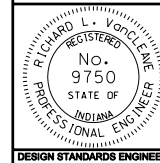
1. PVC pipe shall be 6" Schedule 40 Class 12454-B.
2. See detail drawings for drain spacings.

INDIANA DEPARTMENT OF TRANSPORTATION

**SLAB BRIDGE FLOOR DRAIN  
DETAIL**

SEPTEMBER 2004

STANDARD DRAWING NO. E 704-SBFD-01



*/s/ Richard L. VanCleave* 9-01-04  
DESIGN STANDARDS ENGINEER DATE

*/s/ Richard K. Smutzer* 9-01-04  
CHIEF HIGHWAY ENGINEER DATE

DESIGN STANDARDS ENGINEER