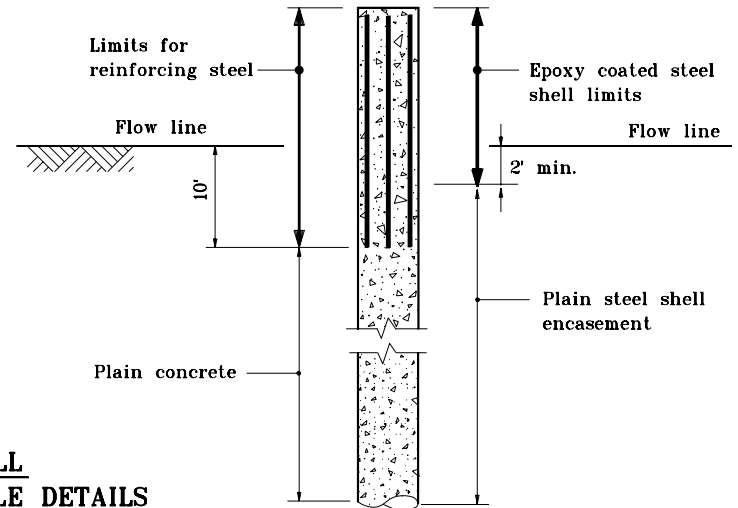
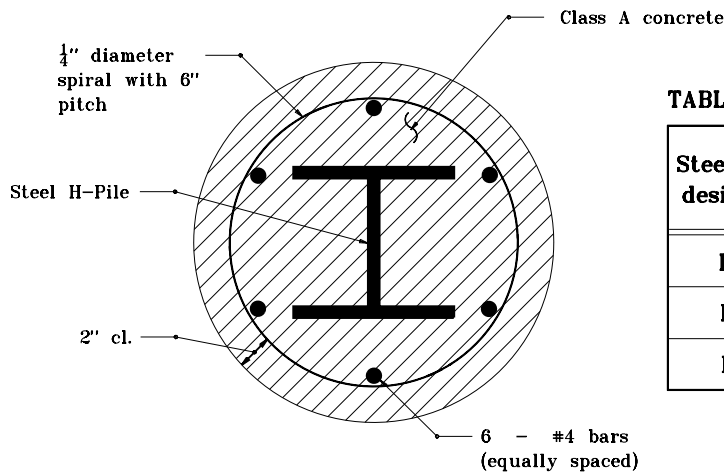


**PLAN**

**EPOXY COATED STEEL SHELL  
ENCASED REINFORCED CONCRETE PILE DETAILS**



**SECTION A-A**



**PLAN**

**STEEL H - PILES  
REINFORCED CONCRETE ENCASED DETAIL**

**TABLE OF MATERIALS**

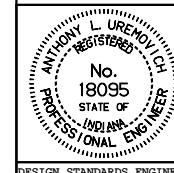
Steel H-Pile designation	Minimum pile diameter	Reinforcing steel lb/ft	Class A concrete yd <sup>3</sup> /ft
HP 14	2'-3"	5.8	0.12
HP 12	2'-0"	5.6	0.10
HP 10	1'-9"	5.4	0.08

INDIANA DEPARTMENT OF TRANSPORTATION

**REINFORCED CONCRETE  
PILE DETAILS**

MAY 1998

STANDARD DRAWING NO. E 701-BPIL-02



DETAILS PLACED IN THIS FORMAT 11-15-99

/s/ Anthony L. Uremovich 11-15-99  
DESIGN STANDARDS ENGINEER DATE

/s/ Firooz Zandi 11-15-99  
CHIEF HIGHWAY ENGINEER DATE

DESIGN STANDARDS ENGINEER

ORIGINALLY APPROVED 5-01-98