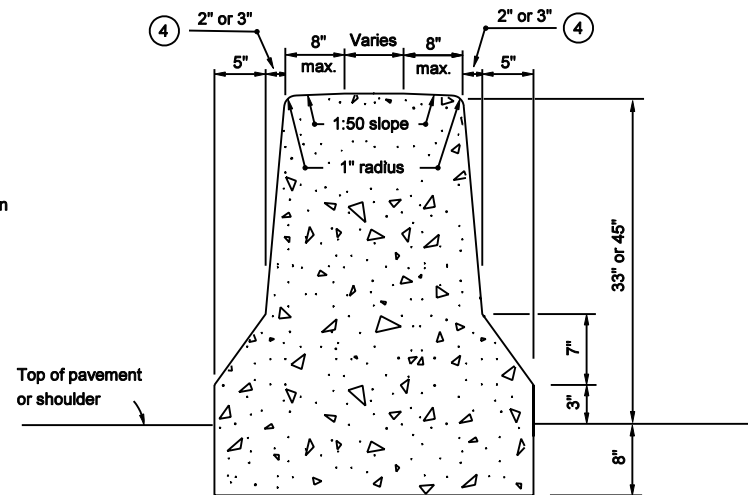



**PLAN VIEW AT  
INTEGRAL MEDIAN FOUNDATION OR BRIDGE BENT**



**SECTION A-A**

**NOTES :**

1. All integral median foundations shall be constructed as shown.
  2. At a bridge pier, the faces of the concrete barrier shall be transitioned at a 30:1 taper to match configuration of the pier stem. At a median bridge bent, the faces of the concrete barrier shall be transitioned at a 30:1 taper to match the configuration of the crash wall. If the height of the crash wall is less than the height of the concrete barrier, the height of the crash wall shall be increased, as detailed elsewhere on the plans, to match the height of the concrete barrier.
  3. An appropriate type of impact attenuator shall be designated for the ends of the concrete barrier, when it is exposed to traffic within the roadway clear zone.
- ④ Use 2" for 33" height concrete barrier wall and 3" for 45" height concrete barrier wall.

INDIANA DEPARTMENT OF TRANSPORTATION	
<b>CONCRETE BARRIER DETAILS</b>	
MARCH 2003	
STANDARD DRAWING NO. E 602-CCMB-03	
	/s/ <i>Richard L. VanCleave</i> 3-03-03 DESIGN STANDARDS ENGINEER     DATE
DESIGN STANDARDS ENGINEER	/s/ <i>Richard K. Smutzer</i> 3-03-03 CHIEF HIGHWAY ENGINEER     DATE