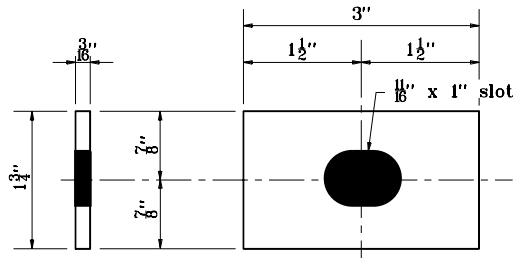


5/8" BUTTON HEAD BOLT

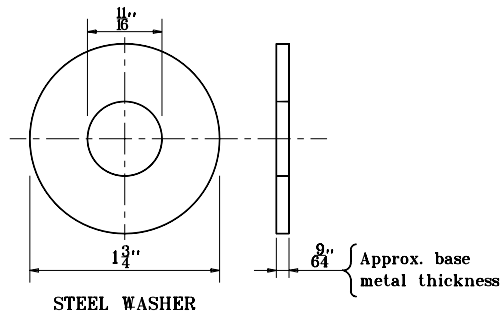
L	THREAD LENGTH
1 1/4"	Full Length Thread
2"	1 1/2" Min. Thread Length
3 1/2"	1 3/4" Min. Thread Length
1'-6"	2 1/2" Min. Thread Length
2'-1"	2" Min. Thread Length



SIDE VIEW

FRONT VIEW

RECTANGULAR PLATE WASHER



STEEL WASHER

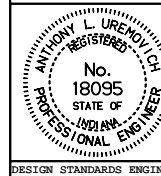
WASHER FOR 5/8" BOLT

INDIANA DEPARTMENT OF TRANSPORTATION

**W-BEAM
GUARDRAIL COMPONENTS**

MAY 2000

STANDARD DRAWING NO. E 601-WBGC-02



/s/ Anthony L. Uremovich 5-01-00
DESIGN STANDARDS ENGINEER DATE

/s/ Firooz Zandi 5-01-00
CHIEF HIGHWAY ENGINEER DATE

DESIGN STANDARDS ENGINEER