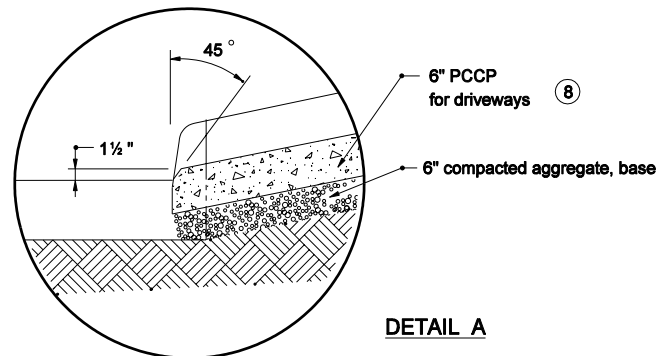


**NOTES :**

1. See Standard Drawing E 610-DRIV-07 for plan of Class VII drive.
2. See Standard Drawing E 610-DRIV-13 for General Notes and Legend.



INDIANA DEPARTMENT OF TRANSPORTATION	
<b>CLASS VII DRIVE PROFILE GRADE &amp; DETAIL A</b>	
MARCH 2006	
STANDARD DRAWING NO. E 610-DRIV-12	
	/s/ Richard L. VanCleave 3-01-06 DESIGN STANDARDS ENGINEER DATE
	/s/ Richard K. Smutzer 3-01-06 CHIEF HIGHWAY ENGINEER DATE
DESIGN STANDARDS ENGINEER	