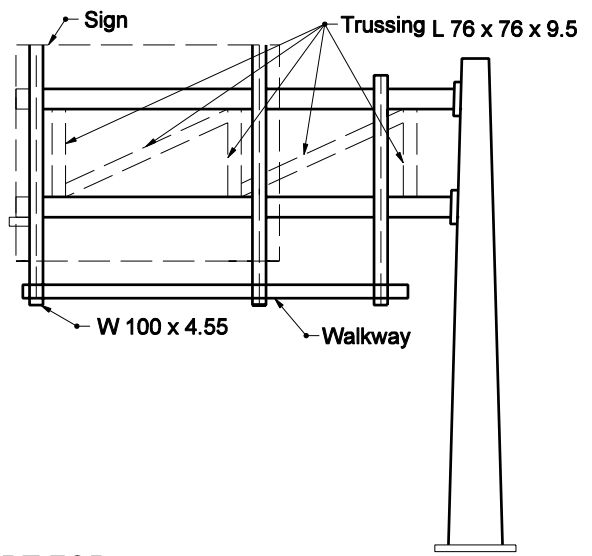
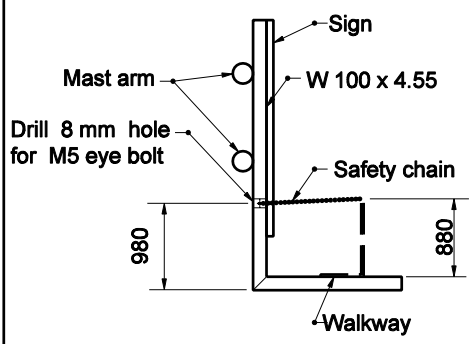


GENERAL NOTE

- ① See Standard Drawing 802-SNWW-08 for Detail A.
- ② See Standard Drawing 802-SNWW-08 for Detail B.



**CHAIN SUPPORT FOR
DOUBLE MASTARM CANTILEVER
(BOX TRUSS SIMILIAR)**

All dimensions are in mm unless otherwise specified

INDIANA DEPARTMENT OF TRANSPORTATION											
SIGN WALKWAY DETAILS											
MARCH 2006											
STANDARD DRAWING NO. 802-SNWW-07											
	<table style="width: 100%; border: none;"> <tr> <td style="border: none;">/s/ Richard L. VanCleave</td> <td style="border: none; text-align: right;">3-01-06</td> </tr> <tr> <td style="border: none;">DESIGN STANDARDS ENGINEER</td> <td style="border: none; text-align: right;">DATE</td> </tr> <tr> <td colspan="2" style="border: none;"> </td> </tr> <tr> <td style="border: none;">/s/ Richard K. Smutzer</td> <td style="border: none; text-align: right;">3-01-06</td> </tr> <tr> <td style="border: none;">CHIEF HIGHWAY ENGINEER</td> <td style="border: none; text-align: right;">DATE</td> </tr> </table>	/s/ Richard L. VanCleave	3-01-06	DESIGN STANDARDS ENGINEER	DATE			/s/ Richard K. Smutzer	3-01-06	CHIEF HIGHWAY ENGINEER	DATE
/s/ Richard L. VanCleave	3-01-06										
DESIGN STANDARDS ENGINEER	DATE										
/s/ Richard K. Smutzer	3-01-06										
CHIEF HIGHWAY ENGINEER	DATE										
<small>DESIGN STANDARDS ENGINEER</small>											