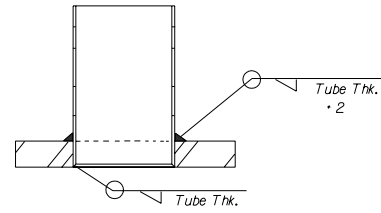
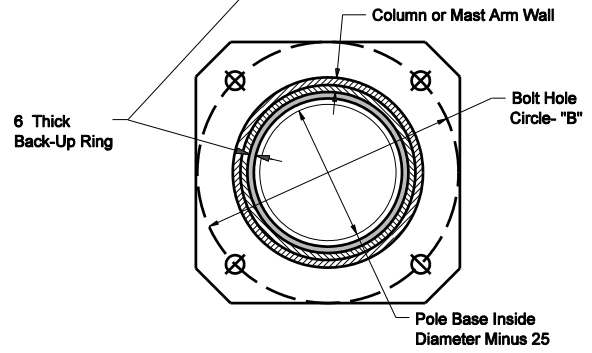
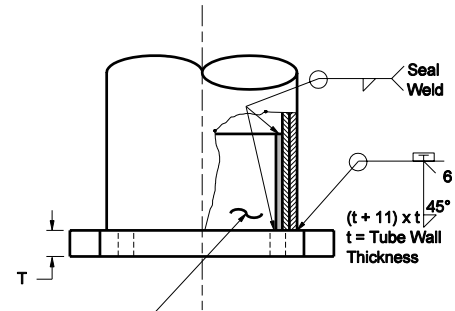


GROUNDING CONNECTION

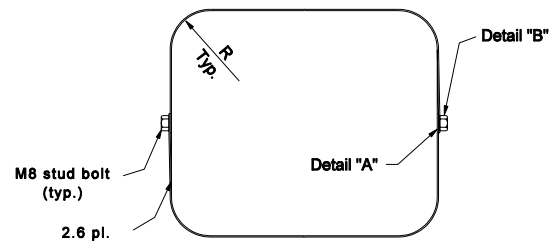


**COLUMN - TO BASE PLATE OR
MAST - ARM - TO - FLANGE - PLATE
SOCKET CONNECTIONS
SINGLE-PLY TUBE**

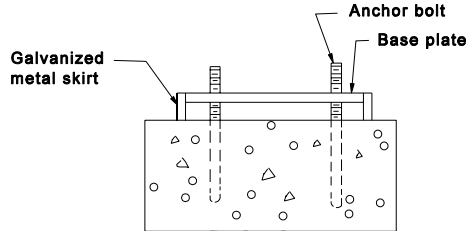


**COLUMN - TO BASE PLATE OR
MAST - ARM - TO - FLANGE - PLATE
BUTT-SPLICES**

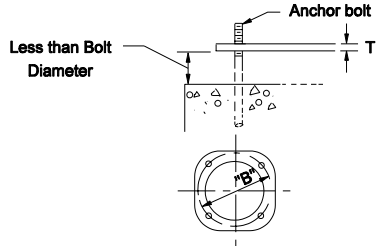
MULTI-PLY TUBE



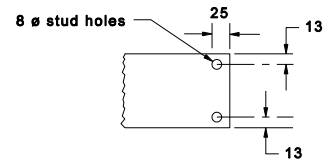
SKIRT DETAIL



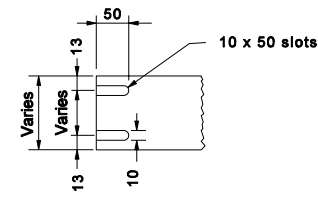
GALVANIZED METAL COVER



BASE PLATE



DETAIL "A"



DETAIL "B"

All Dimensions are in mm unless otherwise specified

INDIANA DEPARTMENT OF TRANSPORTATION

OVERHEAD SIGN DETAILS

MARCH 2006

STANDARD DRAWING NO. 802-SNOC-05

	/s/ Richard L. VanCleave	3-01-06
	DESIGN STANDARDS ENGINEER	DATE
	/s/ Richard K. Smutzer	3-01-06
DESIGN STANDARDS ENGINEER	CHIEF HIGHWAY ENGINEER	DATE