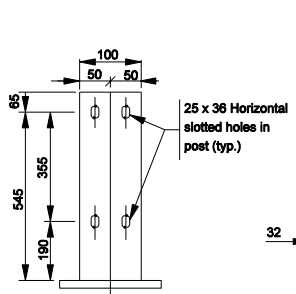
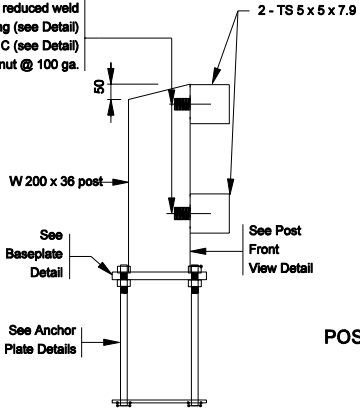
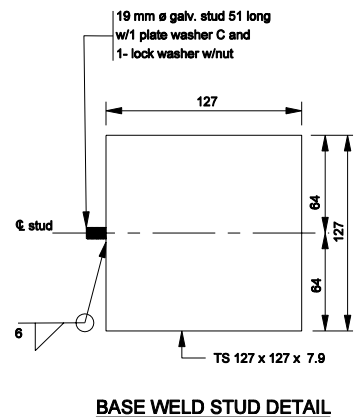
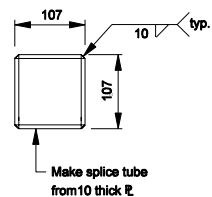
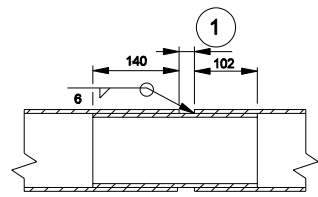
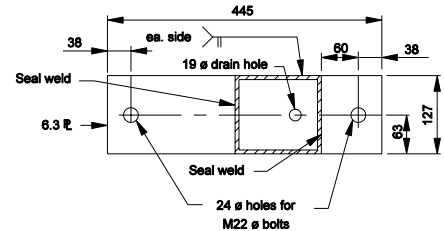
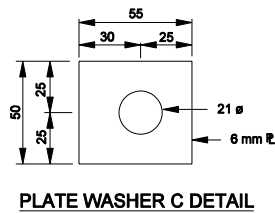
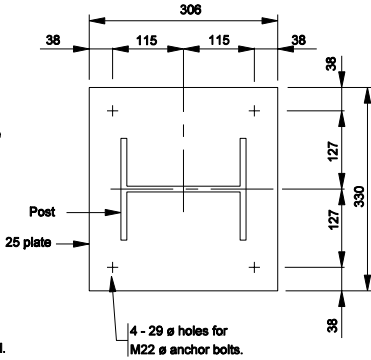
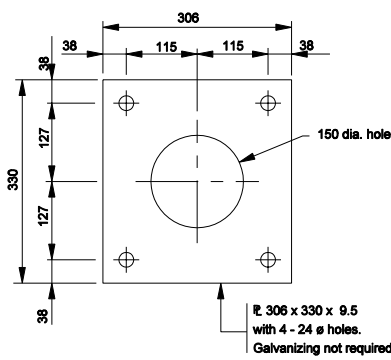
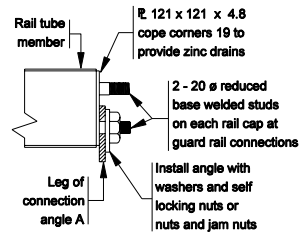
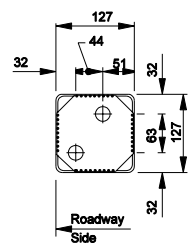


2 - Threaded 19 ø reduced weld base stud x 51 long (see Detail) w/1-  $\bar{L}$  washer C (see Detail) 1 lock washer and nut @ 100 ga.



1 NOTES:  
Gap of 25 unless noted otherwise on plans. Railing splice required in panel with a deck expansion joint.



All Dimensions are in mm unless otherwise specified

INDIANA DEPARTMENT OF TRANSPORTATION	
RAILING, CF-1	
MARCH 2006	
STANDARD DRAWING NO. 706-BRTM-02	
	/s/ Richard L. VanCleave 3-01-06 DESIGN STANDARDS ENGINEER DATE
	/s/ Richard K. Smutzer 3-01-06 CHIEF HIGHWAY ENGINEER DATE
DESIGN STANDARDS ENGINEER	