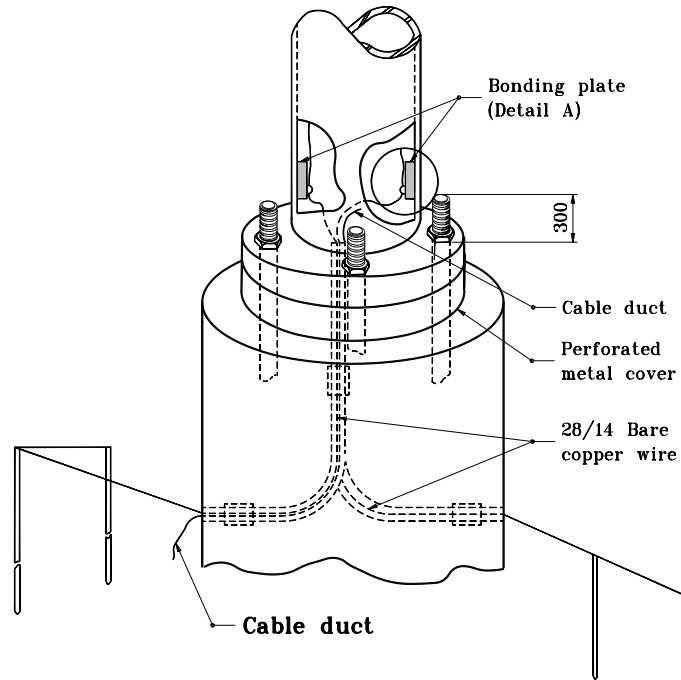
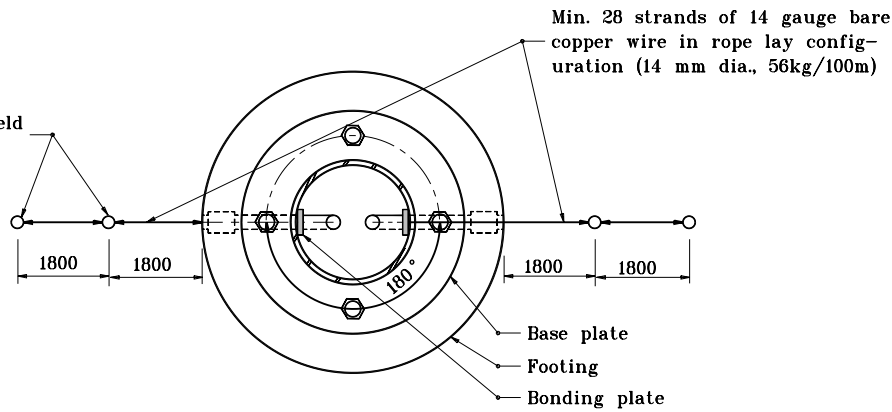


16 x 3600 copperweld ground rod ②



### GENERAL NOTES

1. Shop drawings shall be submitted on lightning rod and connection details. Drawings are for informational purposes only. Only one lightning rod is required per structure.

② Grounding rod must be located a min. of 1800 mm from base at a min. of 600 mm below grade.

For bonding plate detail, see Standard Drawing No. 807-LTLR-02.

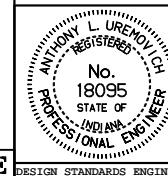
All dimensions are in mm unless otherwise specified.

INDIANA DEPARTMENT OF TRANSPORTATION

### LIGHTNING ROD TYPICAL DETAILS

MARCH 1995

STANDARD DRAWING NO. 807-LTLR-01



/s/ Anthony L. Uremovich 3-01-95  
DESIGN STANDARDS ENGINEER DATE

/s/ Donald W. Lucas 3-01-95  
CHIEF HIGHWAY ENGINEER DATE

Source Sheet: NONE