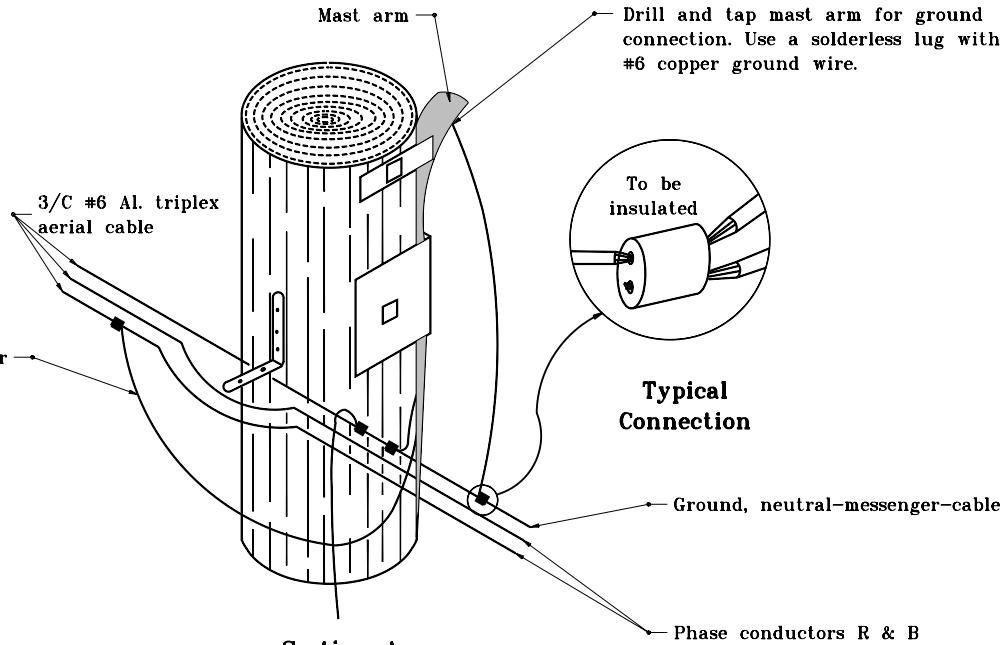
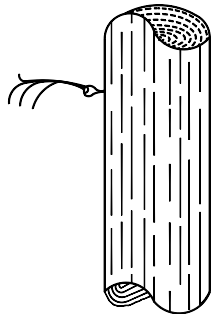


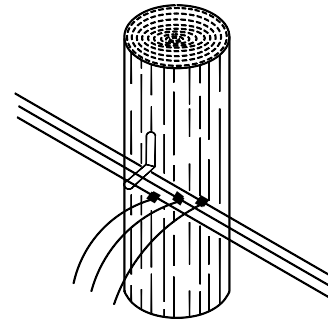
Conduit Riser



**Section A
Typical Aerial Luminaire
Connection with Ground**



**Aerial Cable
Termination**



**Typical Circuit
Connection to
Aerial Cable**

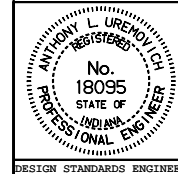
All dimensions are in mm unless otherwise specified.

INDIANA DEPARTMENT OF TRANSPORTATION

**TEMPORARY HIGHWAY
ILLUMINATION DETAILS**

JANUARY 2000

STANDARD DRAWING NO. **807-LTHI-07**



/s/ Anthony L. Uremovich 1-03-00
DESIGN STANDARDS ENGINEER DATE

/s/ Firooz Zandi 1-03-00
CHIEF HIGHWAY ENGINEER DATE

DESIGN STANDARDS ENGINEER