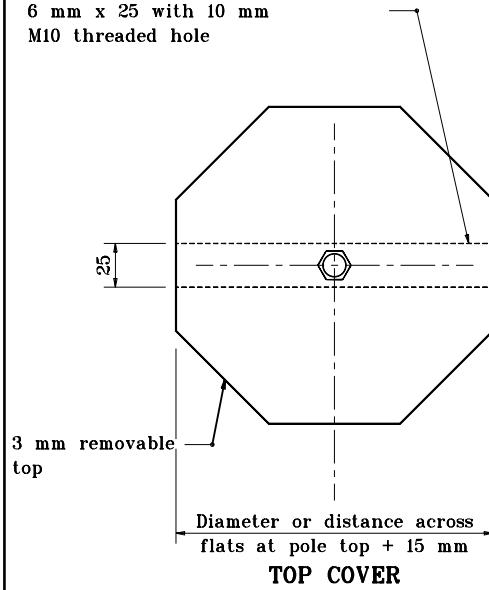
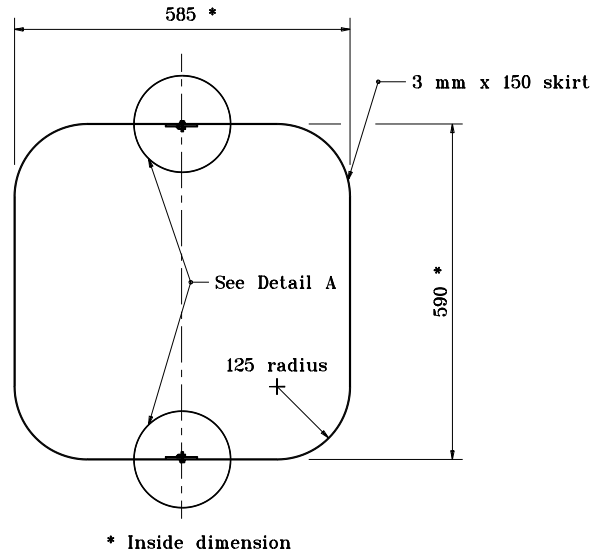


Bar to be welded to inside of pole
6 mm x 25 with 10 mm
M10 threaded hole



TOP COVER

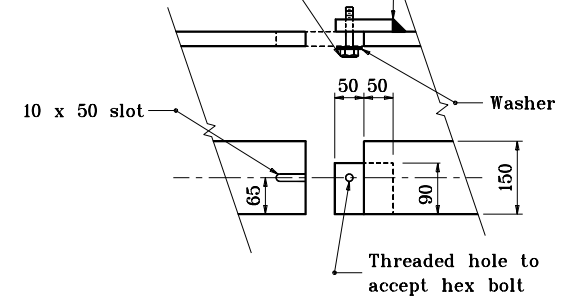


METAL SKIRT (BASE PLATE)

* Inside dimension

100 x 90 x 6 mm
plate welded to
skirt.

M10 x 15 threaded
stainless steel hex bolt



DETAIL A

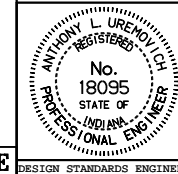
All dimensions are in mm unless otherwise specified.

INDIANA DEPARTMENT OF TRANSPORTATION

**TOP COVER AND METAL SKIRT
OF SIGNAL STEEL STRAIN POLE**

MARCH 1995

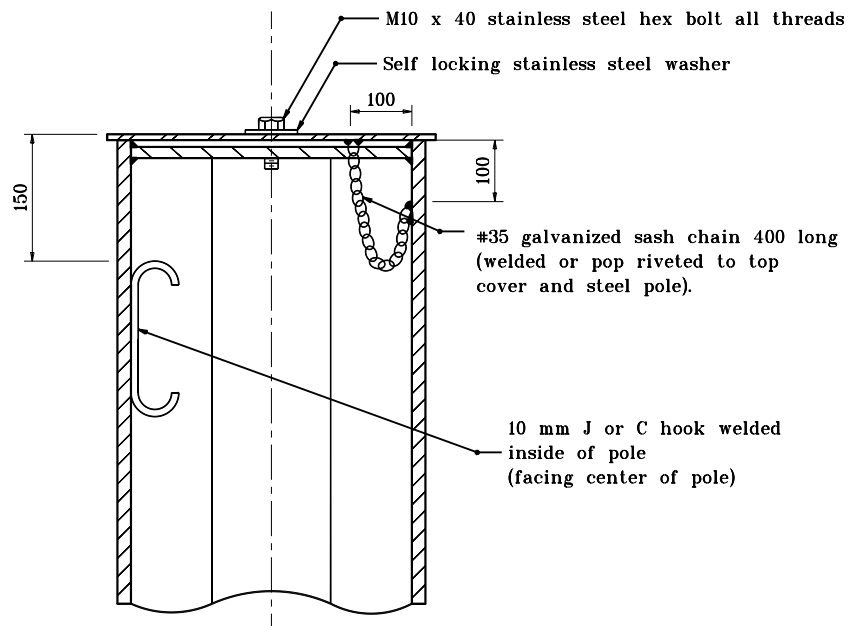
STANDARD DRAWING NO. **805-SGSP-02**



/s/ Anthony L. Uremovich 3-01-95
DESIGN STANDARDS ENGINEER DATE

/s/ Donald W. Lucas 3-01-95
CHIEF HIGHWAY ENGINEER DATE

DESIGN STANDARDS ENGINEER



10 mm J or C hook welded
inside of pole
(facing center of pole)

Source Sheet: **NONE**