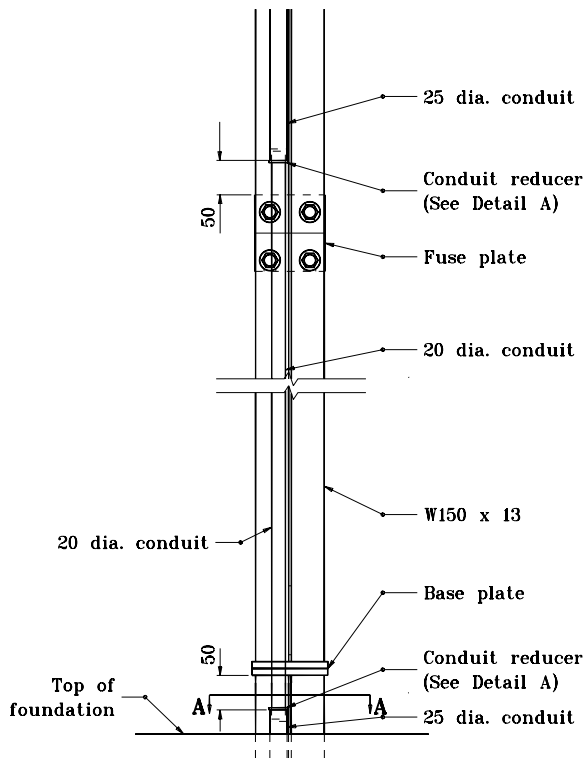
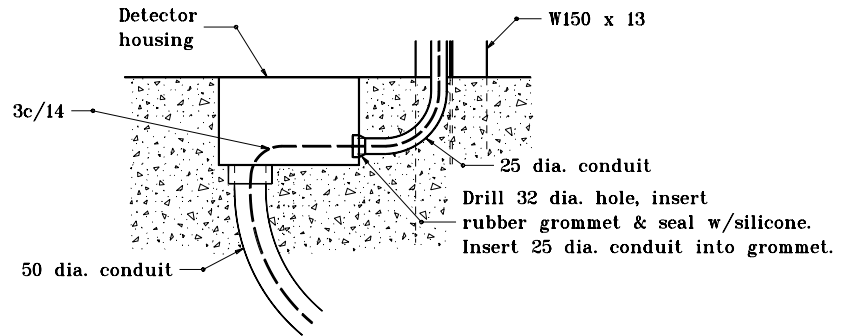


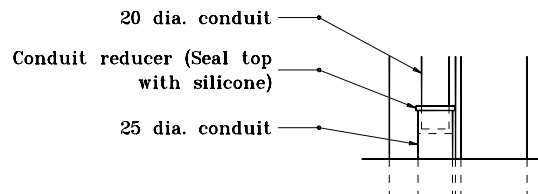
SECTION A-A



CONDUIT DETAIL



DETECTOR HOUSING DETAIL



**DETAIL A
(INVERT FOR TOP CONDUIT JOINT)**

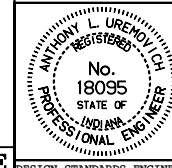
All dimensions are in mm unless otherwise specified.

INDIANA DEPARTMENT OF TRANSPORTATION

**FLASHING BEACON WITH
WARNING SIGN DETAILS**

SEPTEMBER 1998

STANDARD DRAWING NO. 805-SGFB-01A



/s/ Anthony L. Uremovich 9-01-98
DESIGN STANDARDS ENGINEER DATE

/s/ Donald W. Lucas 9-01-98
CHIEF HIGHWAY ENGINEER DATE

Source Sheet: NONE