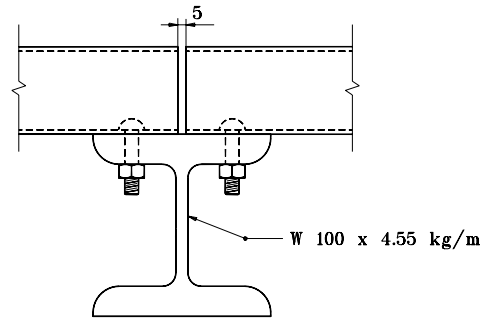
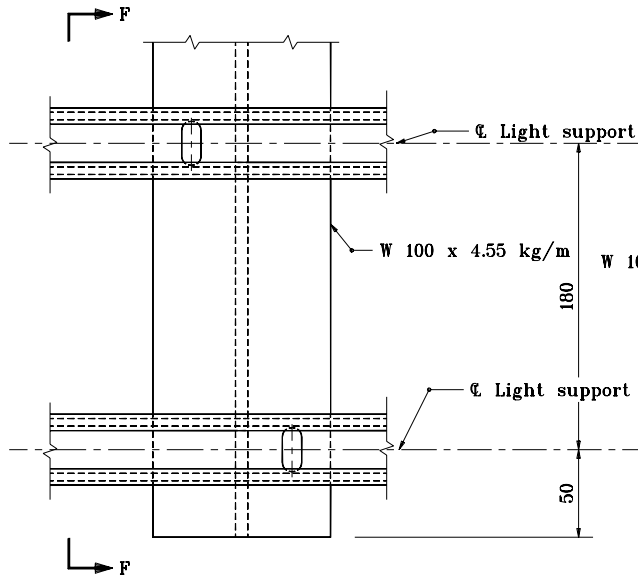


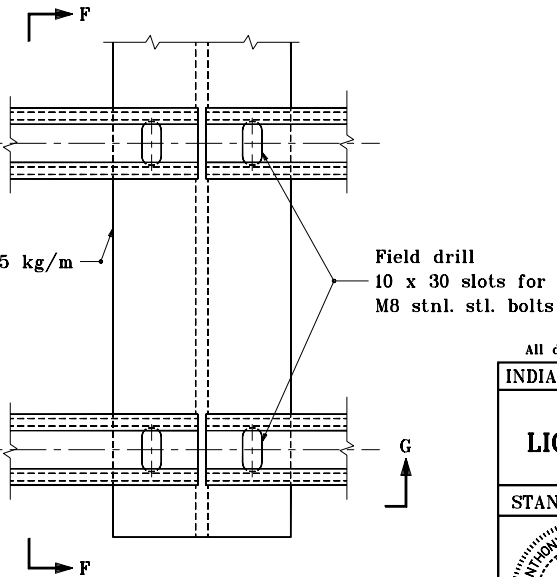
SECTION F-F



SECTION G-G



DETAIL F



DETAIL G

All dimensions are in mm unless otherwise specified.

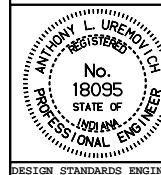
INDIANA DEPARTMENT OF TRANSPORTATION

SIGN DETAILS

LIGHTING FIXTURE MOUNTS

SEPTEMBER 2001

STANDARD DRAWING NO. 802-SNWW-06



/s/ Anthony L. Uremovich 9-04-01
DESIGN STANDARDS ENGINEER DATE

/s/ Firooz Zandi 9-04-01
CHIEF HIGHWAY ENGINEER DATE

DESIGN STANDARDS ENGINEER