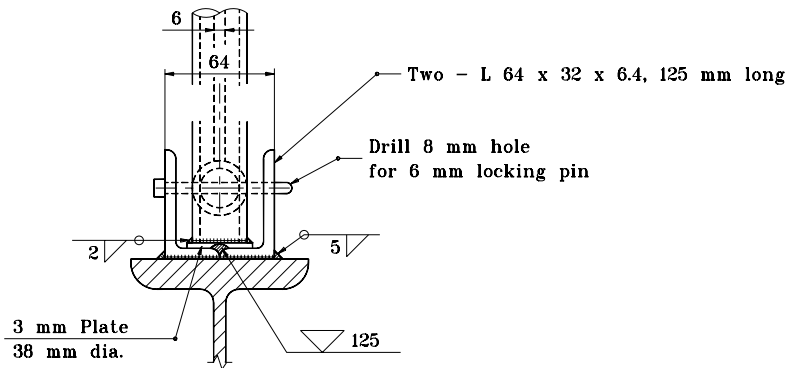


SIDE ELEVATION



FRONT ELEVATION

Two - L 64 x 32 x 6.4, 125 mm long

Drill 8 mm hole for 6 mm locking pin

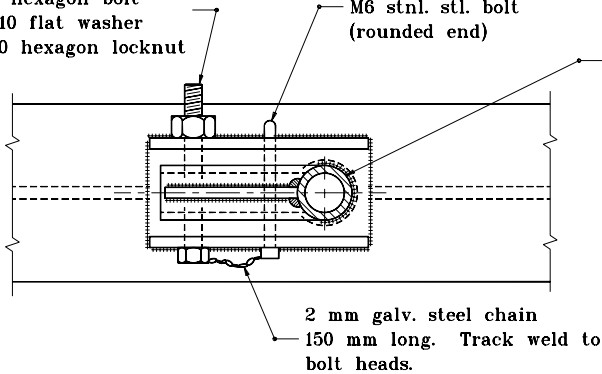
3 mm Plate
38 mm dia.

Field drill 12 mm holes for M10 x 25 stnl. stl. hexagon bolts with M10 flat washer, M10 lock washer and M10 hexagon nut

Drill and ream for M10 stnl.stl. hexagon bolt with M10 flat washer and M10 hexagon locknut

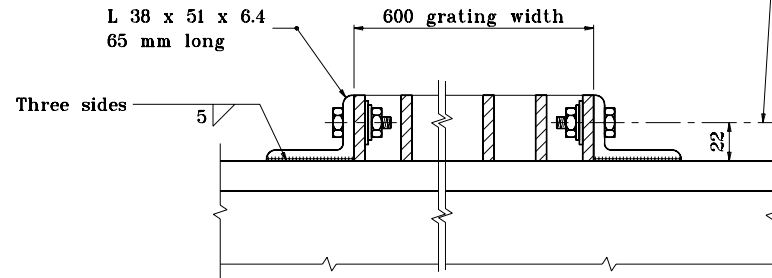
Locking pin made from M6 stnl. stl. bolt (rounded end)

32 mm Sch. 40 aluminum pipe



PLAN

DETAILS OF HANDRAIL HINGE



GRATING TIE DOWN
(Two req'd per walkway bracket)

All dimensions are in mm unless otherwise specified.

INDIANA DEPARTMENT OF TRANSPORTATION	
SIGN WALKWAY HANDRAIL DETAILS	
SEPTEMBER 2001	
STANDARD DRAWING NO. 802-SNWW-05	
	/s/ Anthony L. Uremovich 9-04-01 DESIGN STANDARDS ENGINEER DATE
	/s/ Firooz Zandi 9-04-01 CHIEF HIGHWAY ENGINEER DATE