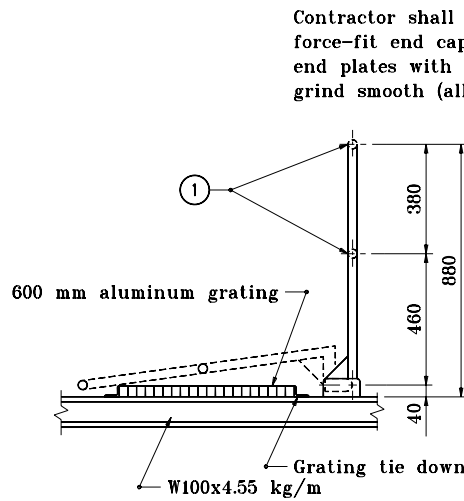
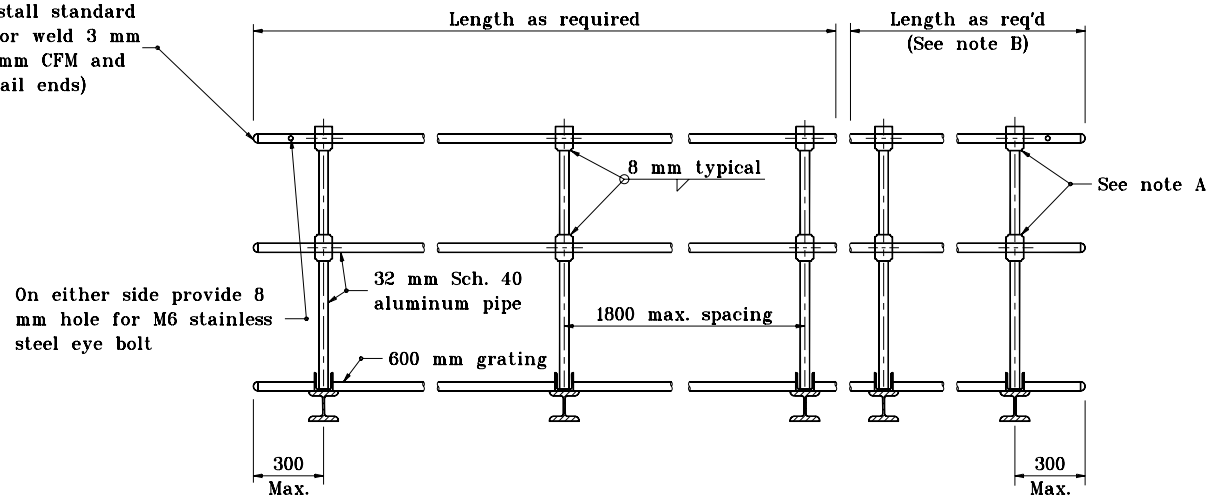


GENERAL NOTES

- ① Horizontal rail member shall be continuous thru fitting. Provide 12 mm hole in fitting for M10 bolt. Field drill 12 mm hole in horizontal rail member. Provide M10 washer & M10 locknut for bolt.
2. Rail and grating shall span a minimum of three brackets.



SIDE ELEVATION



FRONT ELEVATION

All dimensions are in mm unless otherwise specified.

INDIANA DEPARTMENT OF TRANSPORTATION	
SIGN WALKWAY/ HANDRAIL DETAIL	
SEPTEMBER 2001	
STANDARD DRAWING NO. 802-SNWW-04	
	/s/ Anthony L. Uremovich 9-04-01 DESIGN STANDARDS ENGINEER DATE
DESIGN STANDARDS ENGINEER	/s/ Firooz Zandi 9-04-01 CHIEF HIGHWAY ENGINEER DATE