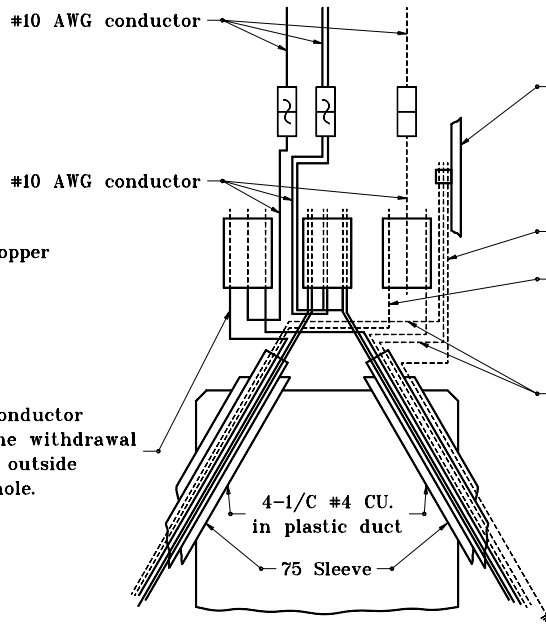


Grounding post  
Detail A

Green equipment  
grounding conductor

Allow sufficient conductor  
slack to permit the withdrawal  
of the connectors outside  
of the pole handhole.



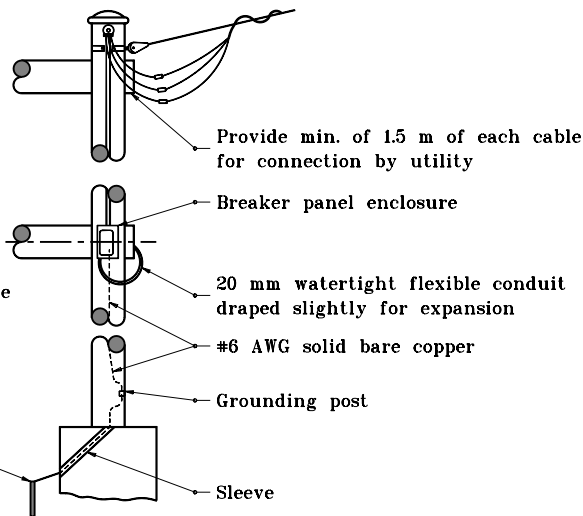
Grounding post Detail B

Green equipment  
grounding conductor

**OVERHEAD SIGN SERVICE DETAIL  
(UNDERGROUND CONNECTIONS)**

**GENERAL NOTES**

1. Breaker panel wiring to be used with bridge bracket sign illumination, or when lighting overhead sign is not part of a roadway lighting system.
2. Oxidation inhibitor shall be liberally applied to all surfaces that mate with a dissimilar material.



Drill 10 max. hole  
with a grommet

Ground rod  
10 x 2440

Provide min. of 1.5 m of each cable  
for connection by utility

Breaker panel enclosure

20 mm watertight flexible conduit  
draped slightly for expansion

#6 AWG solid bare copper

Grounding post

Sleeve

**OVERHEAD SIGN SERVICE DETAIL  
(AERIAL CONNECTION)**

**LEGEND**

- Self insulated splicer  
(Insulating Link)
- Un-fused connector
- Fused connector
- Compression connector

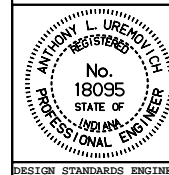
All dimensions are in mm unless otherwise specified.

INDIANA DEPARTMENT OF TRANSPORTATION

**SIGN WIRING DETAILS**

SEPTEMBER 2001

STANDARD DRAWING NO. 802-SNWR-01



/s/ Anthony L. Uremovich 9-04-01  
DESIGN STANDARDS ENGINEER DATE

/s/ Firooz Zandi 9-04-01  
CHIEF HIGHWAY ENGINEER DATE

DESIGN STANDARDS ENGINEER