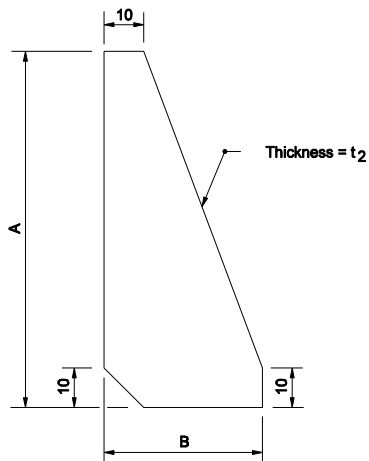
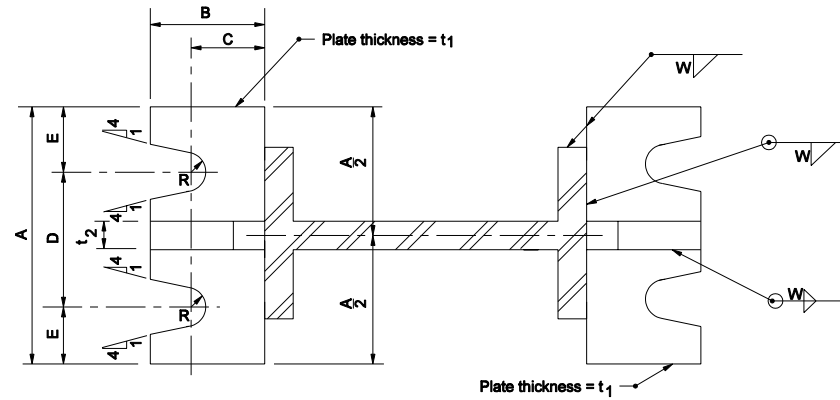


PERFORATED FUSE PLATE DETAIL (3)

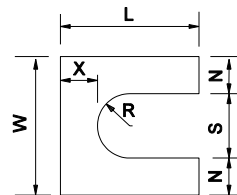


STIFFENER PLATE DETAIL



BASE PLATE DETAIL

SHIM DETAIL						
BOLT DIAMETER	L	W	N	R	S	X
M12 to M20	44	44	12	10	21	12
M24	51	51	9.5	16	32	12



Furnish 2-0.3 ± thick and 2-0.8 ± thick shims per post.

SHIM DETAIL

Notes:

1. See table on Standard Drawing 802-SNGP-05 for dimensions and weight of stiffener plate and base plate.
2. See table on Standard Drawing 802-SNGP-06 for dimensions and weight of perforated fuse plate.
3. Use H.S. bolts with hex head, & hex nut, one flat washer under each bolt head and beveled or flat washer (where required) under nut.
4. Dimensional tolerances excluding the thickness for shims is ± 1.

All dimensions are in mm unless otherwise specified

INDIANA DEPARTMENT OF TRANSPORTATION

SIGN DETAILS

SEPTEMBER 2004

STANDARD DRAWING NO. 802-SNGP-04

	/s/ Richard L. VanCleave DESIGN STANDARDS ENGINEER	9-01-04 DATE
	/s/ Richard K. Smutzer CHIEF HIGHWAY ENGINEER	9-01-04 DATE

DESIGN STANDARDS ENGINEER