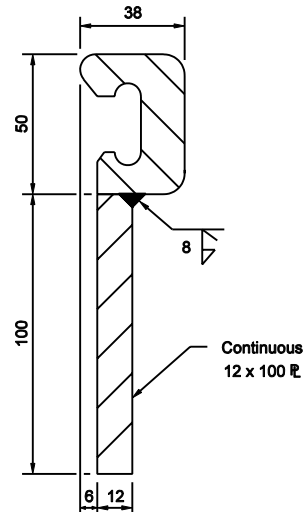
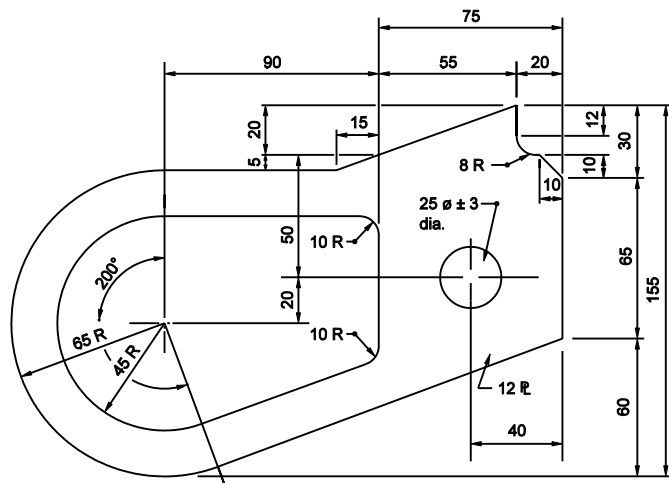


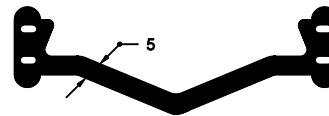
**ANCHOR PLATE ALTERNATE C-1**



**EXTRUSION & PLATE  
ASSEMBLY DETAIL**



**ANCHOR PLATE ALTERNATE C-2**



**STRIP SEAL**

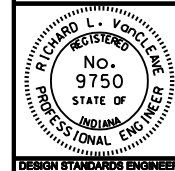
All Dimension are in mm unless otherwise specified

INDIANA DEPARTMENT OF TRANSPORTATION

EXPANSION JOINTS  
CLASS SS (ALTERNATE C)

SEPTEMBER 2003

STANDARD DRAWING NO. 724-BSSJ-03



/s/ Richard L. VanCleave 9-02-03  
DESIGN STANDARDS ENGINEER DATE

/s/ Richard K. Smutzer 9-02-03  
CHIEF HIGHWAY ENGINEER DATE

DESIGN STANDARDS ENGINEER