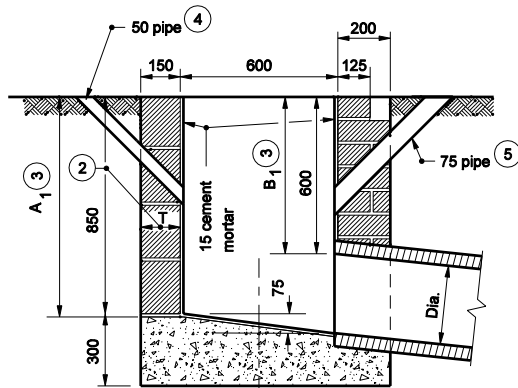
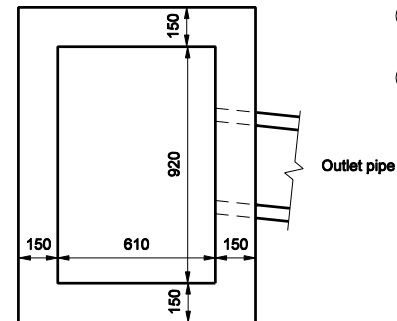
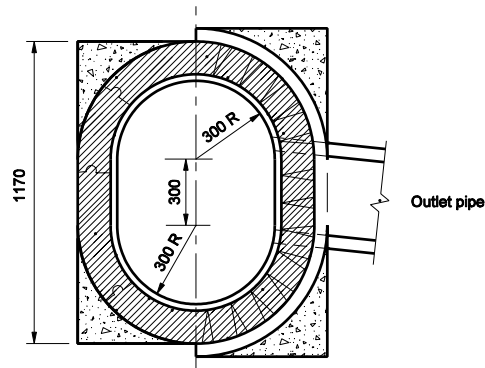
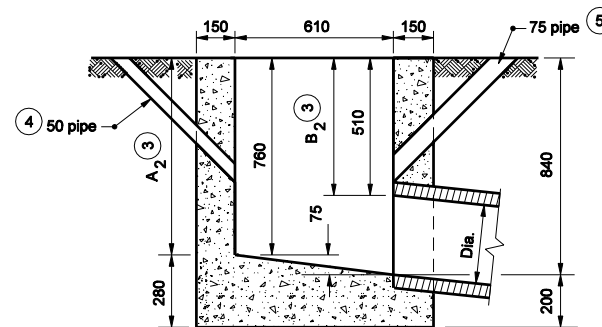


GENERAL NOTES

1. Brick, block, or concrete may be used.
- 2 T = 200 for brick structure
T = 150 for segmental block structure
- 3 If inlet pipe is required, A₁, B₁, A₂, and B₂ shall be increased or decreased 300, as directed
- 4 50 pipe drain from bottom of curb to inlet. Aggregate to be placed around inlet end of pipe.
- 5 75 min. dia. pipe to be kept open for drainage of subgrade or base until surface is placed.



BRICK OR BLOCK



CONCRETE

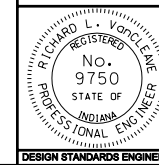
All dimensions are in mm unless otherwise specified

INDIANA DEPARTMENT OF TRANSPORTATION

INLET TYPE J

SEPTEMBER 2005

STANDARD DRAWING NO. 720-INST-06



/s/ Richard L. VanCleave 9-01-05
DESIGN STANDARDS ENGINEER DATE

/s/ Richard K. Smutzer 9-01-05
CHIEF HIGHWAY ENGINEER DATE

DESIGN STANDARDS ENGINEER