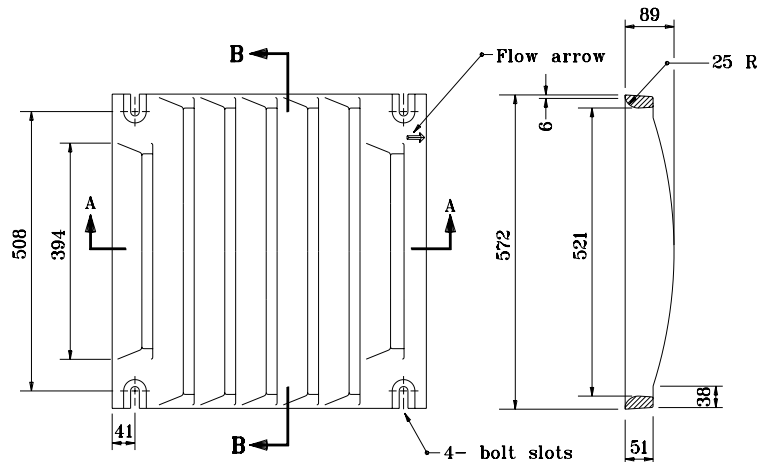
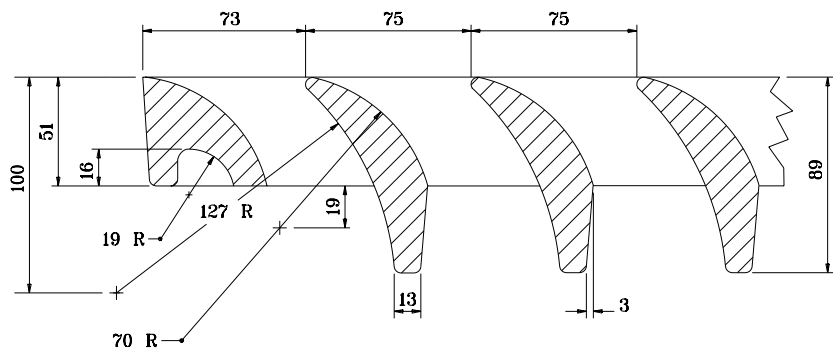


BOLT SLOT DETAIL

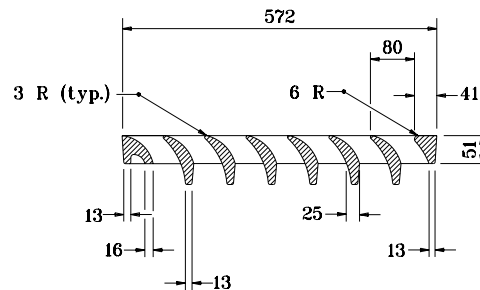


PLAN

SECTION B-B



RIB DETAIL



SECTION A-A

All dimensions are in mm unless otherwise specified.

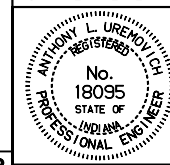
INDIANA DEPARTMENT OF TRANSPORTATION

CASTING TYPE 15

GRATE

SEPTEMBER 1998

STANDARD DRAWING NO. **720-ICCA-17**



/s/ Anthony L. Uremovich 9-01-98
DESIGN STANDARDS ENGINEER DATE

/s/ Donald W. Lucas 9-01-98
CHIEF HIGHWAY ENGINEER DATE

Source Sheet: **MC2**

DESIGN STANDARDS ENGINEER