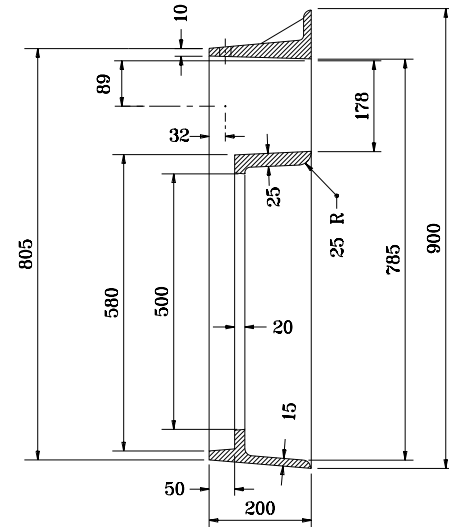
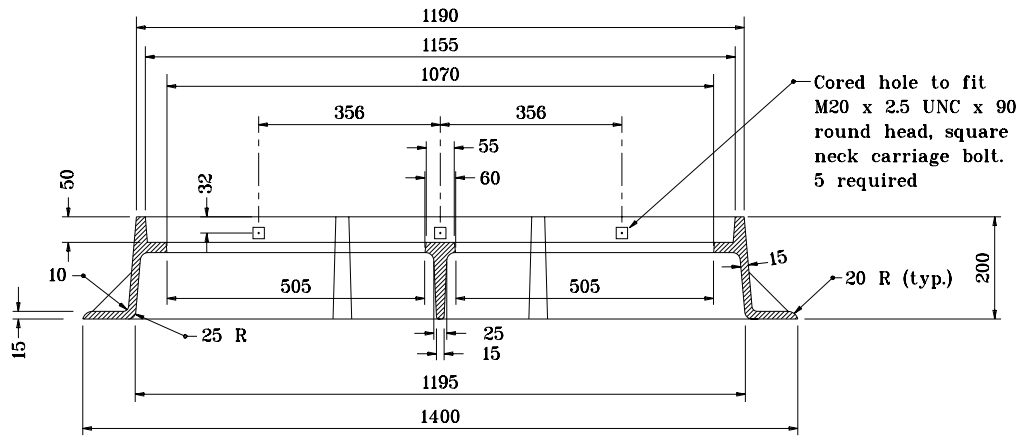


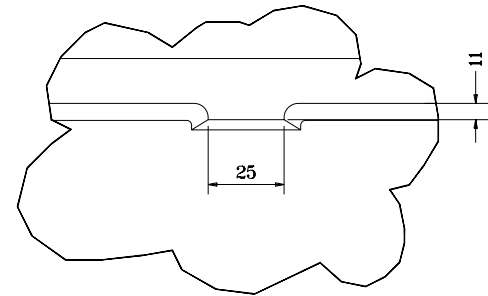
PLAN



SECTION B-B



SECTION A-A



DETAIL A

All dimensions are in mm unless otherwise specified.

INDIANA DEPARTMENT OF TRANSPORTATION	
CASTING TYPE 15	
FRAME	
SEPTEMBER 1998	
STANDARD DRAWING NO. 720-ICCA-16	
	/s/ Anthony L. Uremovich 9-01-98 DESIGN STANDARDS ENGINEER DATE
	/s/ Donald W. Lucas 9-01-98 CHIEF HIGHWAY ENGINEER DATE

Source Sheet: **MC2**