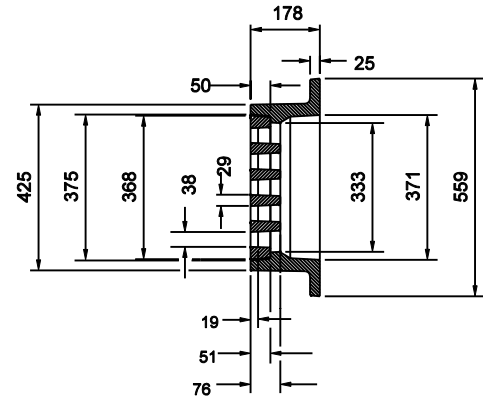
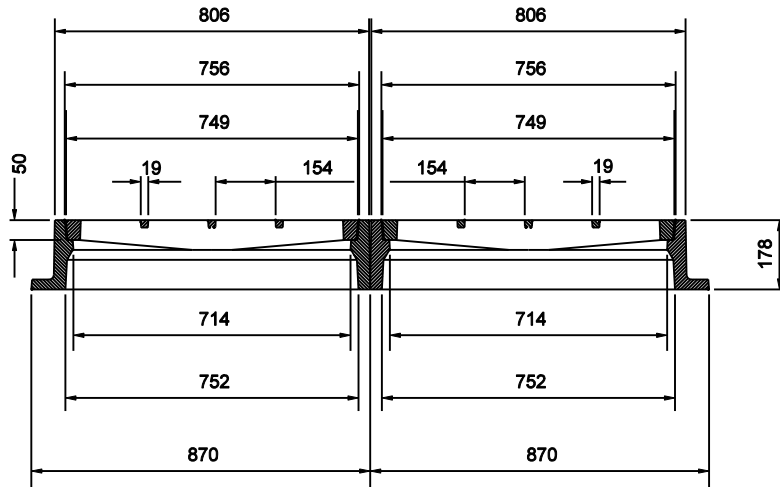


PLAN



SECTION B-B



SECTION A-A

FRAME AND GRATE  
CASTING TYPE 14

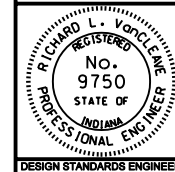
All Dimension are in mm unless otherwise specified

INDIANA DEPARTMENT OF TRANSPORTATION

CASTING TYPE 14  
FRAME AND GRATE

SEPTEMBER 2003

STANDARD DRAWING NO. 720-ICCA-15



/s/ Richard L. VanCleave 9-02-03  
DESIGN STANDARDS ENGINEER DATE

/s/ Richard K. Smutzer 9-02-03  
CHIEF HIGHWAY ENGINEER DATE

DESIGN STANDARDS ENGINEER