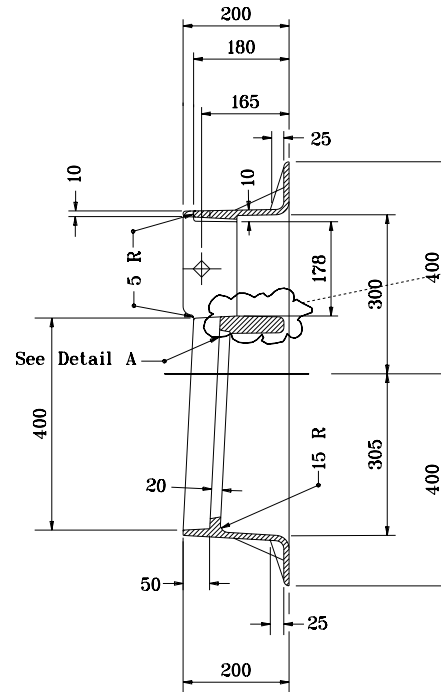
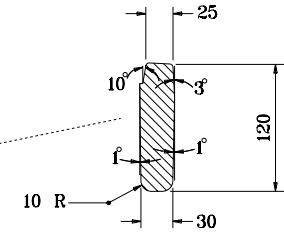


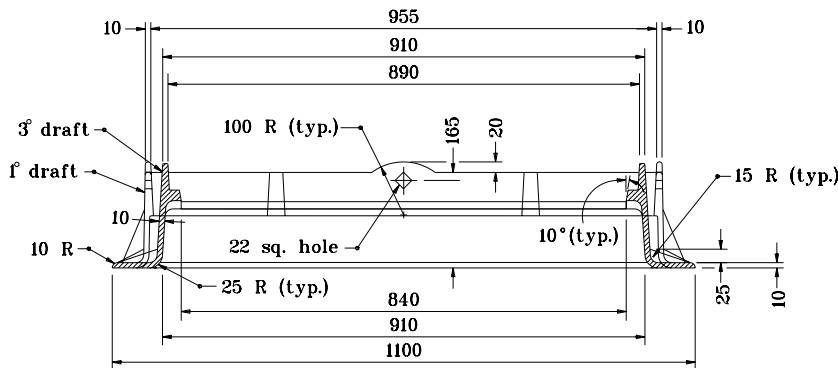
**PLAN**



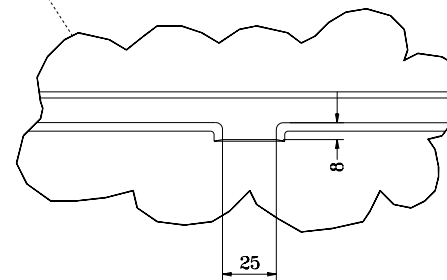
**SECTION B-B**



**DETAIL A**



**SECTION A-A**



**DETAIL B**

All dimensions are in mm unless otherwise specified.

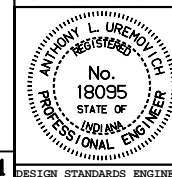
INDIANA DEPARTMENT OF TRANSPORTATION

**CASTINGS TYPE 10**

**FRAME**

SEPTEMBER 1998

STANDARD DRAWING NO. 720-ICCA-08



*/s/ Anthony L. Uremovich* 9-01-98  
DESIGN STANDARDS ENGINEER DATE

*/s/ Donald W. Lucas* 9-01-98  
CHIEF HIGHWAY ENGINEER DATE

Source Sheet: **MC1**

DESIGN STANDARDS ENGINEER