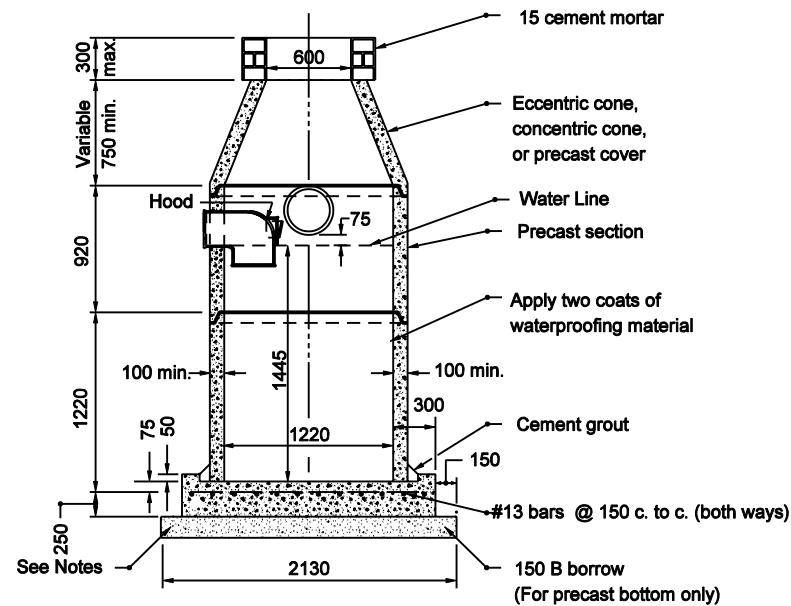


NOTES:

1. Concentric concrete section will not be permitted on any manhole that will be under the jurisdiction of the Indianapolis Sanitary District
2. The contractor will be permitted to substitute precast catch basin type "W" for catch basin type "A".



SECTION A-A

All Dimension are in mm unless otherwise specified

INDIANA DEPARTMENT OF TRANSPORTATION	
CATCH BASIN TYPE W	
SEPTEMBER 2003	
STANDARD DRAWING NO. 720-CBST-08	
	<i>/s/ Richard L. VanCleave</i> 9-02-03 DESIGN STANDARDS ENGINEER DATE
	<i>/s/ Richard K. Smutzer</i> 9-02-03 CHIEF HIGHWAY ENGINEER DATE
DESIGN STANDARDS ENGINEER	