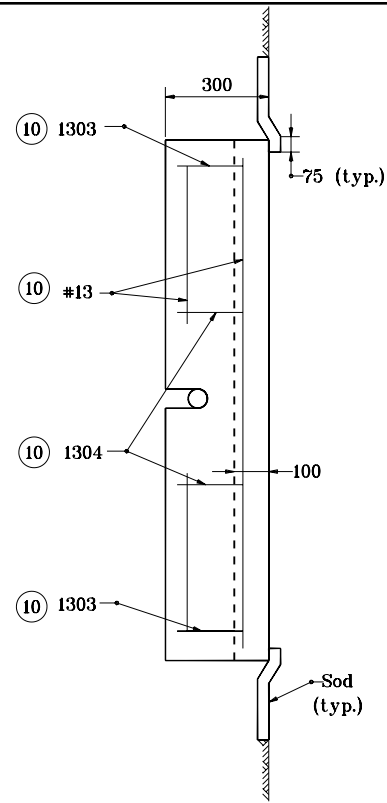
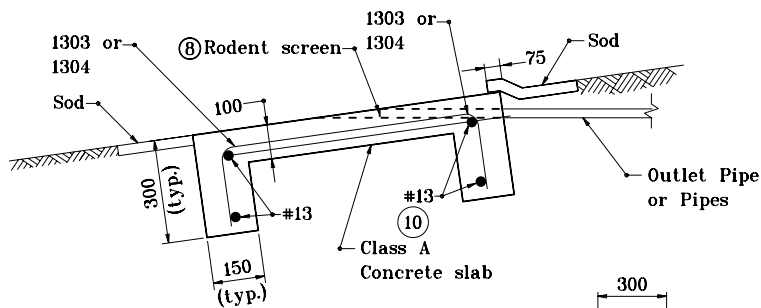


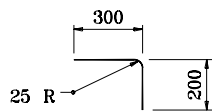
PLAN VIEW



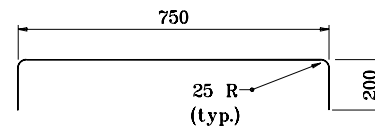
SECTION C-C



TYPICAL SECTION



1304 x 500



1303 x 1150

NOTE:

1. See Standard Drawing 718-UNDR-07 for General Notes pertaining to this sheet.

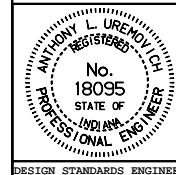
All dimensions are in mm unless otherwise specified.

INDIANA DEPARTMENT OF TRANSPORTATION

OUTLET PROTECTOR, TYPE 3

JANUARY 2000

STANDARD DRAWING NO. 718-UNDR-05



/s/ Anthony L. Uremovich 1-03-00
DESIGN STANDARDS ENGINEER DATE

/s/ Firooz Zandi 1-03-00
CHIEF HIGHWAY ENGINEER DATE

DESIGN STANDARDS ENGINEER