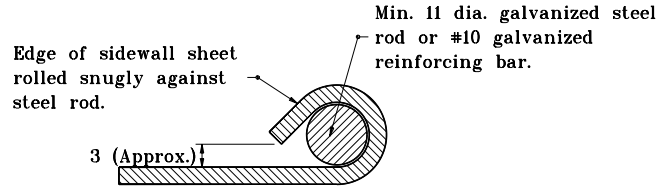
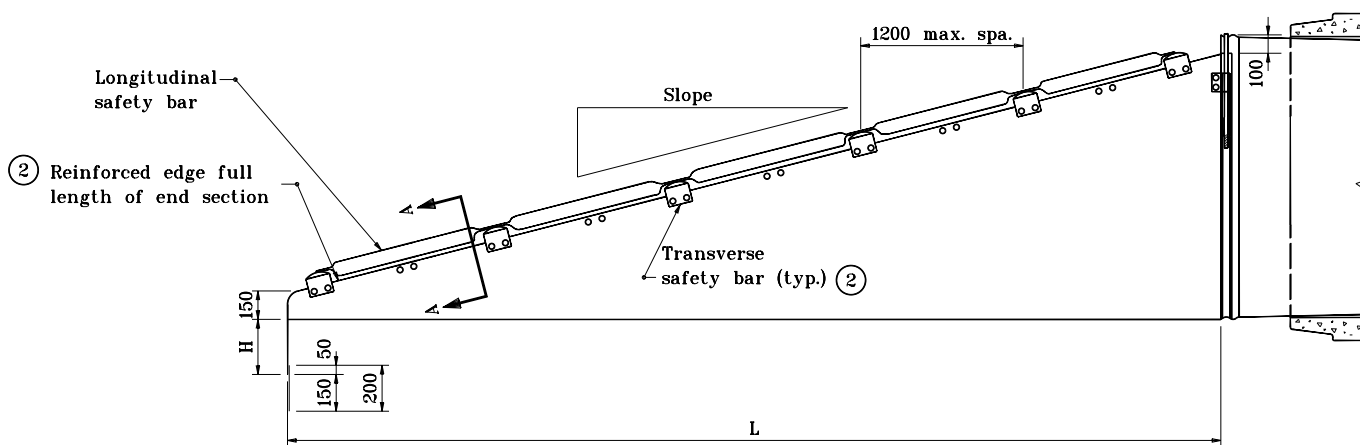


GENERAL NOTES

- ① Toe plate extension is to be the same thickness as the end section. Dimensions shall be overall width less 150, by 200 high.
- ② Transverse safety bars shall be Schedule 40 galvanized steel pipe. Pipe to be galvanized after forming. Number of bars req'd. will vary depending on the length of the end section.
3. Slotted holes for safety bar attachment shall be provided for all end sections.
4. See Standard Drawing 715-SMES-12 for variable dimensions.
- ⑤ See Standard Drawing 715-SMES-07 for warrant of longitudinal safety bar.

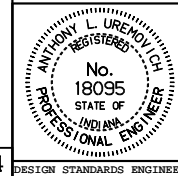


SECTION A-A



SIDE ELEVATION FOR CROSS STRUCTURE END SECTION

All dimensions are in mm unless otherwise specified.
INDIANA DEPARTMENT OF TRANSPORTATION
SAFETY METAL CULVERT END SECTIONS FOR SMOOTH PIPE
 JANUARY 1998
 STANDARD DRAWING NO. **715-SMES-11**



/s/ Anthony L. Uremovich 1-02-98
 DESIGN STANDARDS ENGINEER DATE

/s/ Donald W. Lucas 1-02-98
 CHIEF HIGHWAY ENGINEER DATE

Source Sheet: **SMES4**