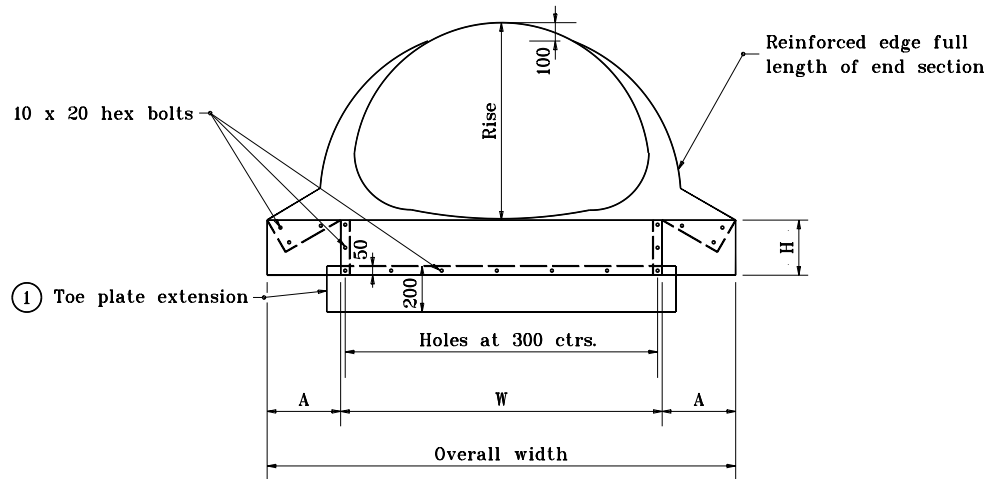
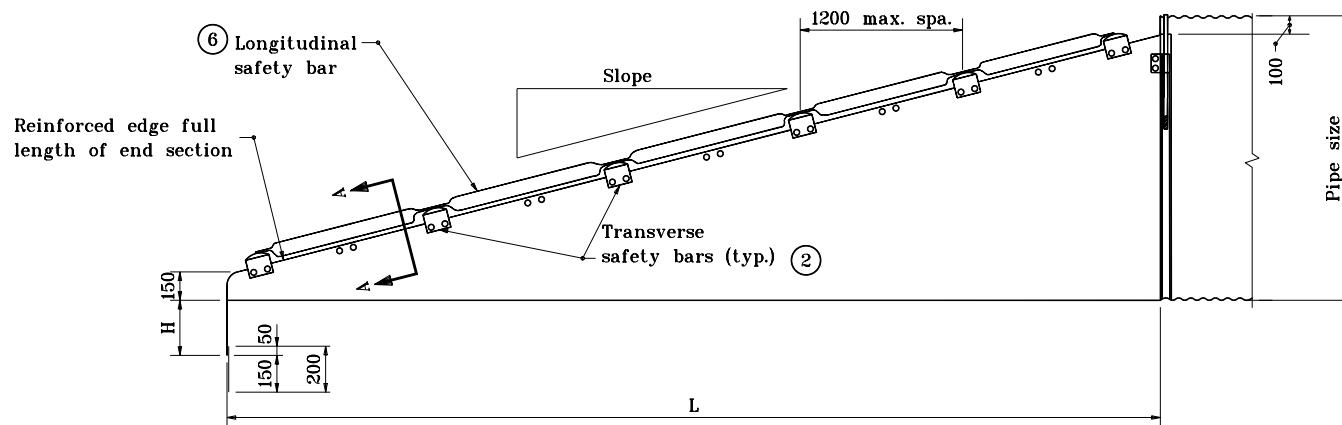


GENERAL NOTES

- ① Toe plate extension shall be the same thickness as the end section. Dimension shall be overall width less 150.
- ② Transverse safety bars shall be Schedule 40 galvanized steel pipe. Pipe shall be galvanized after forming. Number of bars required will vary depending on the length of the end sections.
3. Slotted holes for safety bar attachment shall be provided for all end sections.
4. See Standard Drawing 715-SMES-04 for Section A-A.
5. See Standard Drawing 715-SMES-06 for variable dimensions.
- ⑥ See Standard Drawing 715-SMES-01 for warrant of longitudinal safety bar.

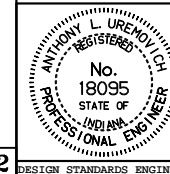


FRONT VIEW



SIDE ELEVATION FOR CROSS STRUCTURE END SECTION

All dimensions are in mm unless otherwise specified.
INDIANA DEPARTMENT OF TRANSPORTATION
SAFETY METAL CULVERT END
SECTIONS FOR CORRUGATED PIPE
 JANUARY 1998
STANDARD DRAWING NO. 715-SMES-05



/s/ Anthony L. Uremovich 1-02-98
 DESIGN STANDARDS ENGINEER DATE

/s/ Donald W. Lucas 1-02-98
 CHIEF HIGHWAY ENGINEER DATE

Source Sheet: **SMES2**