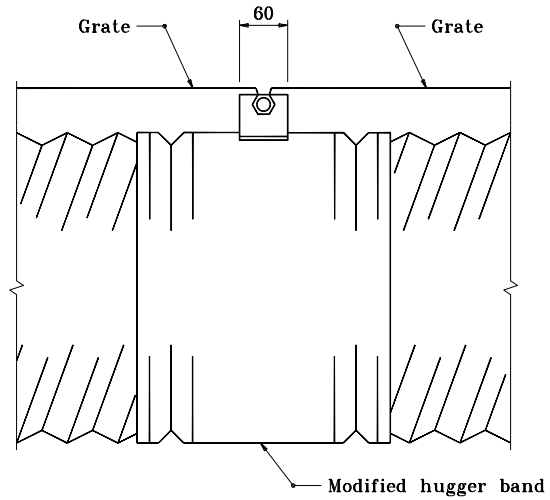
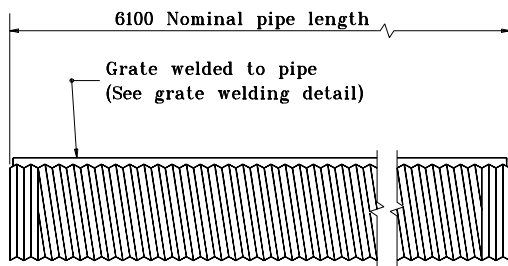


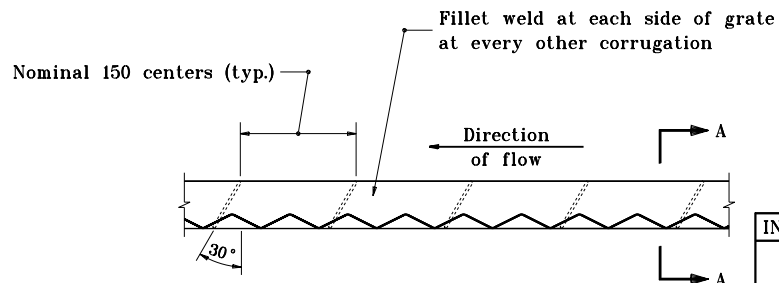
**MODIFIED HUGGER BAND
TOP VIEW**



**MODIFIED HUGGER BAND
SIDE VIEW**



TYPICAL PIPE SECTION



GRATE WELDING DETAIL

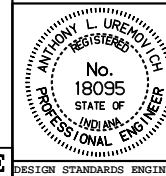
All dimensions are in mm unless otherwise specified.

INDIANA DEPARTMENT OF TRANSPORTATION

SLOTTED DRAIN PIPE

APRIL 1995

STANDARD DRAWING NO. 715-SLDR-01



/s/ Anthony L. Uremovich 4-03-95
DESIGN STANDARDS ENGINEER DATE

/s/ Donald W. Lucas 4-03-95
CHIEF HIGHWAY ENGINEER DATE

Source Sheet: NONE