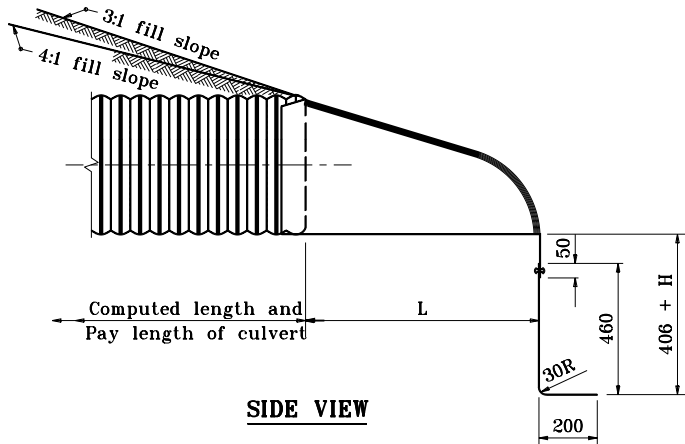
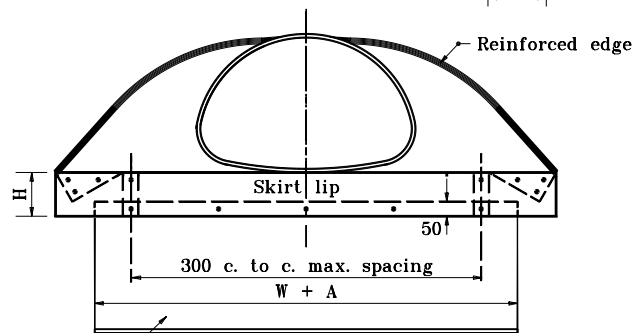


PIPE-ARCH DIMENSIONS		END SECTION THICK.	DIMENSIONS					APPROX. SLOPE	BODY
SPAN	RISE		A (±25)	B (Max.)	H (±25)	L (±40)	W (±50)		
430	330	1.63	180	230	150	480	760	2.5 : 1	1 Pc.
530	380	1.63	180	250	150	580	910	2.5 : 1	1 Pc.
610	460	1.63	200	310	150	710	1070	2.5 : 1	1 Pc.
710	510	1.63	230	360	150	810	1220	2.5 : 1	1 Pc.
885	610	2.01	250	410	200	990	1520	2.5 : 1	1 Pc.
1060	740	2.01	310	460	230	1170	1910	2.5 : 1	1 Pc.

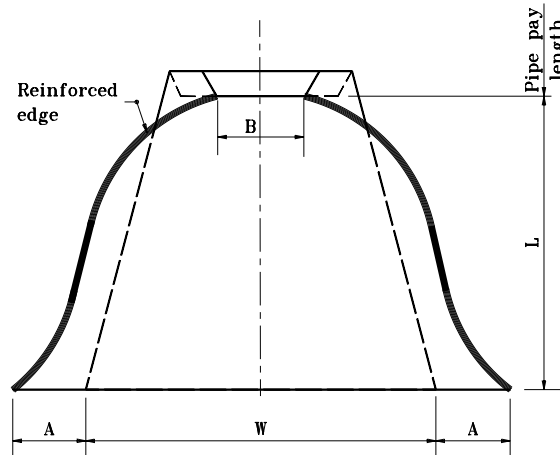


SIDE VIEW



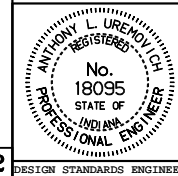
END VIEW

Toe plate anchor



PLAN VIEW

All dimensions are in mm unless otherwise specified.
 INDIANA DEPARTMENT OF TRANSPORTATION
METAL PIPE ARCH
END SECTION
 JANUARY 1998
 STANDARD DRAWING NO. 715-MPES-02



/s/ Anthony L. Uremovich 1-02-98
 DESIGN STANDARDS ENGINEER DATE

/s/ Donald W. Lucas 1-02-98
 CHIEF HIGHWAY ENGINEER DATE

Source Sheet: ME2