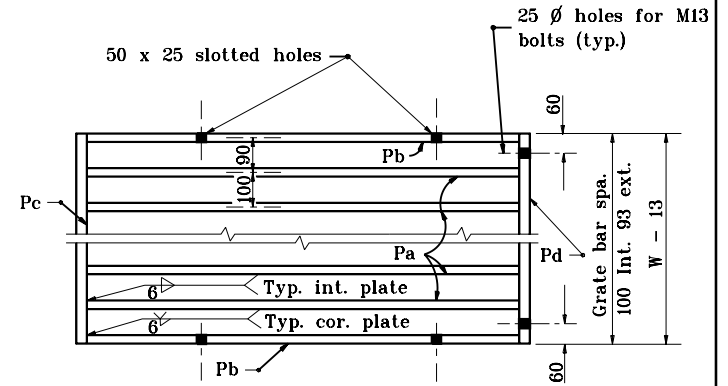
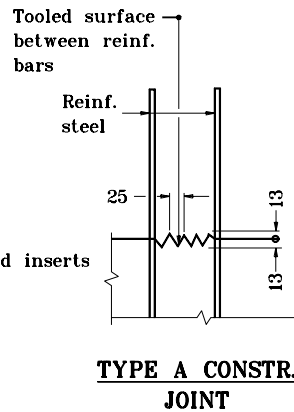
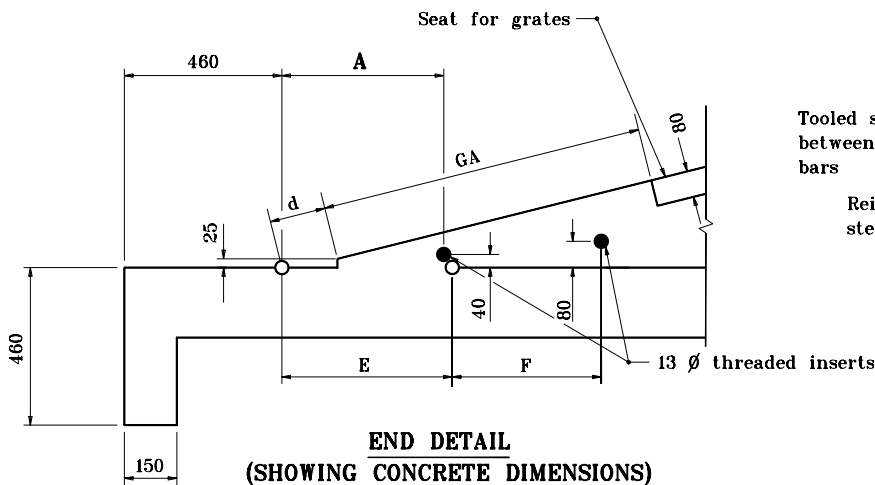
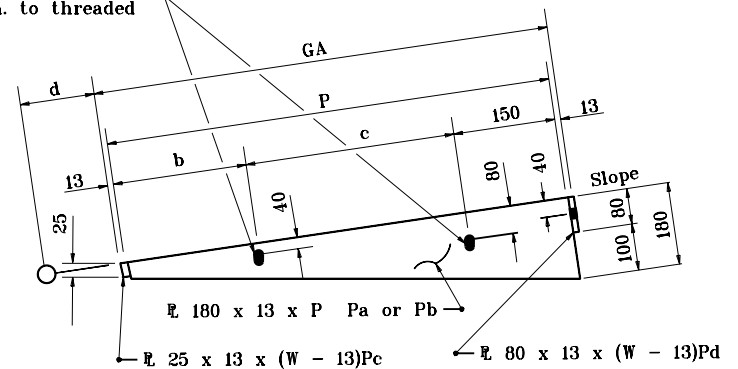


GRATE B & C

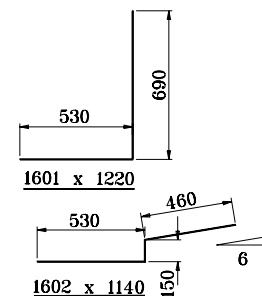


PLAN VIEW

25 x 50 slotted hole in ℓ . Pb only for M13 bolt conn. to threaded inserts.



ELEVATION GRATE A



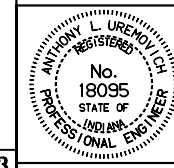
All dimensions are in mm unless otherwise specified.

INDIANA DEPARTMENT OF TRANSPORTATION

GRATED BOX END SECTION TYPE II

JANUARY 1999

STANDARD DRAWING NO. **715-GBTT-02**



/s/ Anthony L. Uremovich 1-04-99
DESIGN STANDARDS ENGINEER DATE

/s/ Donald W. Lucas 1-04-99
CHIEF HIGHWAY ENGINEER DATE