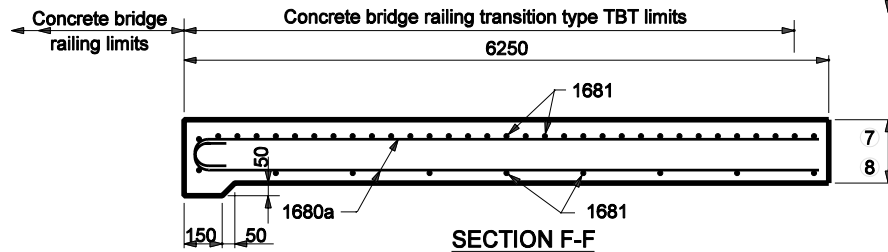
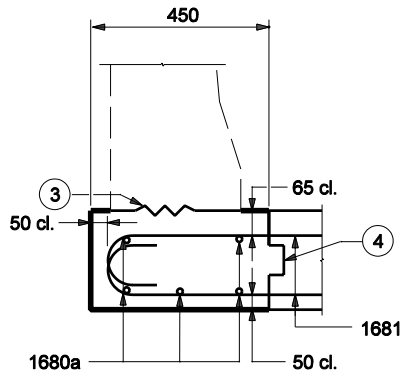


PLAN



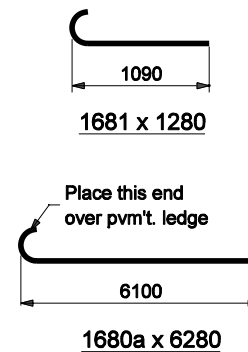
SECTION F-F



SECTION E-E

BILL OF MATERIALS			
These quantities are for one side Approach Slab Extension.			
EPOXY COATED REINFORCING STEEL			
Size & Mark	No. of Bars	Length	Weight (kg)
1680a	5	6280	
1681	52	1280	
Total #16 Bars			152
Total Epoxy Coated Steel			152
MISCELLANEOUS			
R.C. Br. Appr., 10"			2.8 m ²

APPROACH SLAB EXTENSION DETAILS



NOTES:

1. See Standard Drawing 706-TTBT-01 through -03 for concrete bridge railing transition type TBT details.
2. See Standard Drawing 706-TASE-05 for General Notes.

All dimensions are in mm unless otherwise specified

INDIANA DEPARTMENT OF TRANSPORTATION

**BRIDGE RAILING TRANSITION
TBT SLAB EXTENSION**

SEPTEMBER 2004

STANDARD DRAWING NO. 706-TASE-02

	<i>/s/ Richard L. VanCleave</i> 9-01-04 DESIGN STANDARDS ENGINEER DATE
	<i>/s/ Richard K. Smutzer</i> 9-01-04 CHIEF HIGHWAY ENGINEER DATE

DESIGN STANDARDS ENGINEER