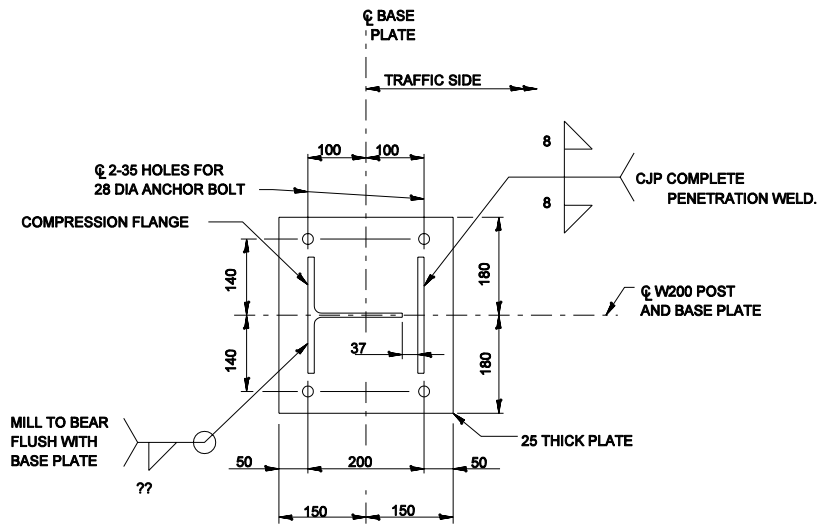
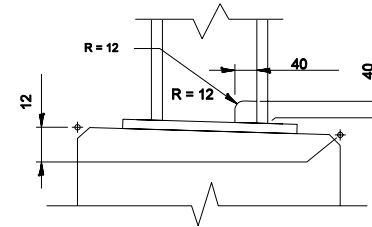


NOTES:

1. 35 HOLES FOR 28 ANCHOR BOLT.
2. SEE STANDARD SPECIFICATION 711.36



POST TO BASE PLATE DETAIL



DRAIN HOLE DETAIL

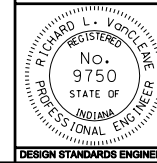
All dimensions are in mm unless otherwise specified

INDIANA DEPARTMENT OF TRANSPORTATION

**CONCRETE BRIDGE RAILING
TYPE TF-2**

SEPTEMBER 2005

STANDARD DRAWING NO. 706-BRTF-09



/s/ Richard L. VanCleave 9-01-05
DESIGN STANDARDS ENGINEER DATE

/s/ Richard K. Smutzer 9-01-05
CHIEF HIGHWAY ENGINEER DATE

DESIGN STANDARDS ENGINEER