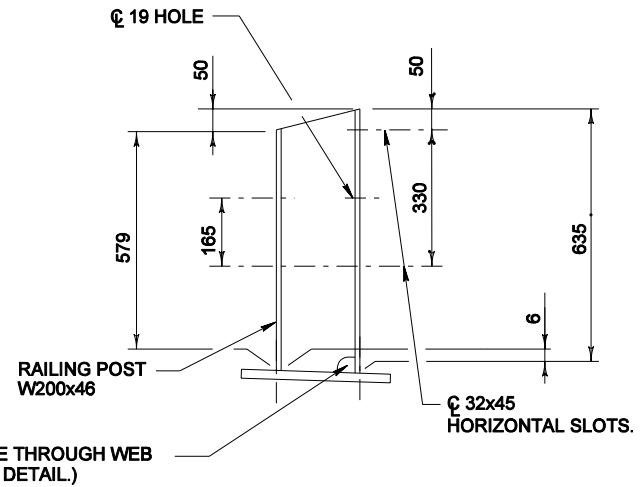


**RAILING SECTION**

**TYPICAL RAILING**

**NOTE:**

1. For Drain Hole Detail See Standard Drawing 706-BRTF-09



**ELEVATION-POST**

All dimensions are in mm unless otherwise specified

INDIANA DEPARTMENT OF TRANSPORTATION

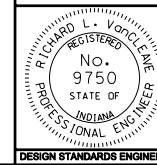
**CONCRETE BRIDGE RAILING**

**TYPE 1F-2**

**MISCELLANEOUS DETAILS**

SEPTEMBER 2005

STANDARD DRAWING NO. 706-BRTF-03



/s/ Richard L. VanCleave 3-01-05  
DESIGN STANDARDS ENGINEER DATE

/s/ Richard K. Smutzer 3-01-05  
CHIEF HIGHWAY ENGINEER DATE

DESIGN STANDARDS ENGINEER