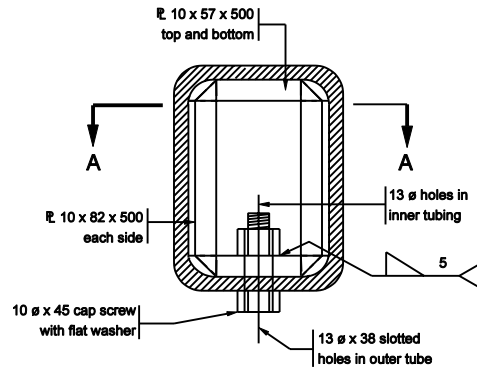
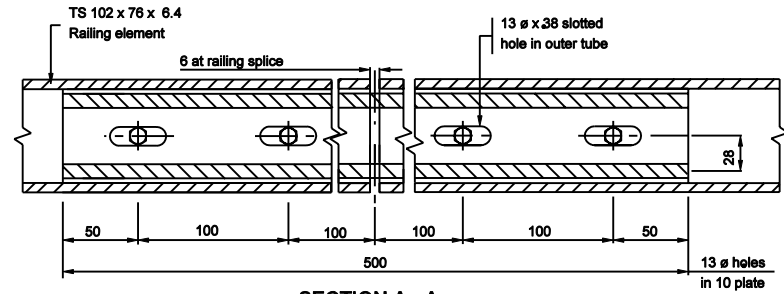


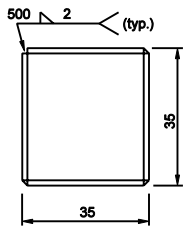
FINISHED DIMENSIONS
OF INNER SLEEVE FOR
TS 102 x 76 x 6.4



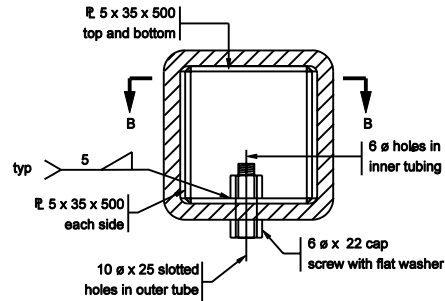
INNER SLEEVE FOR
TS 102 x 76 x 6.4



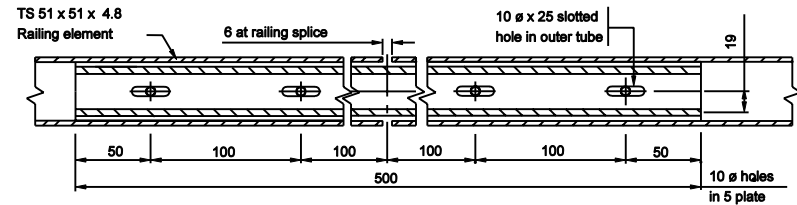
SECTION A - A



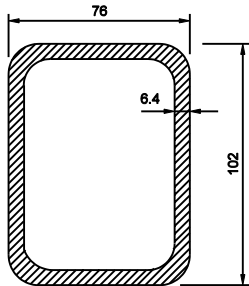
FINISHED DIMENSIONS
OF INNER SLEEVE FOR
TS 51 x 51 x 4.8



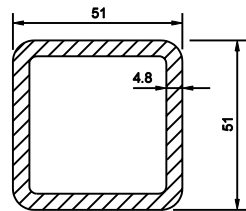
INNER SLEEVE FOR
TS 51 x 51 x 4.8



SECTION B - B



TS 102 x 76 x 6.4



TS 51 x 51 x 4.8

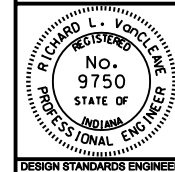
All Dimension are in mm unless otherwise specified

INDIANA DEPARTMENT OF TRANSPORTATION

RAILING, PF & PS
DETAILS

SEPTEMBER 2003

STANDARD DRAWING NO. 706-BRPP-05



/s/ Richard L. VanCleave 9-02-03
DESIGN STANDARDS ENGINEER DATE

/s/ Richard K. Smutzer 9-02-03
CHIEF HIGHWAY ENGINEER DATE

DESIGN STANDARDS ENGINEER