

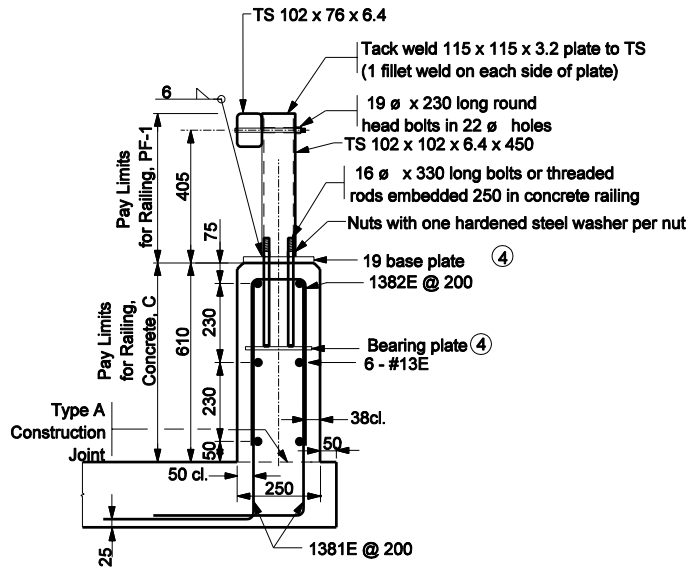
4-19 ϕ x 320 round head bolts in 22 ϕ holes. Holes are to be slotted as required for expansion.

* NOTE: Field measure distance to holes on concrete transition.

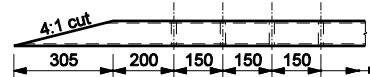
ELEVATION

NOTES :

1. All chamfered edges shall be 25.
2. Intermediate railing splices shall be placed every 6 m with center of connection at span quarter points.
3. See Standard Drawing 706-BRPP-05 for railing tube details and inner sleeve details.
4. See Standard Drawing 706-BRPP-06 for base plate detail, bearing plate detail, and reinforcing steel bar bends.
5. See Standard Drawings 706-TTBP-01, and 706-TTBP-02 for Concrete Bridge Railing Transition, TPS-2.
6. See Standard Drawing 703-BRST-01 for standard 180° bar bending details.
7. All reinforcing bars designated "E" shall be epoxy coated.



TYPICAL SECTION



DETAIL A (Plan View of top rail)

All Dimension are in mm unless otherwise specified

INDIANA DEPARTMENT OF TRANSPORTATION

RAILING, PF-1

SEPTEMBER 2005

STANDARD DRAWING NO. 706-BRPP-01

	/s/ Richard L. VanCleave	9-01-05
	DESIGN STANDARDS ENGINEER	DATE
	/s/ Richard K. Smutzer	9-01-05
DESIGN STANDARDS ENGINEER	CHIEF HIGHWAY ENGINEER	DATE