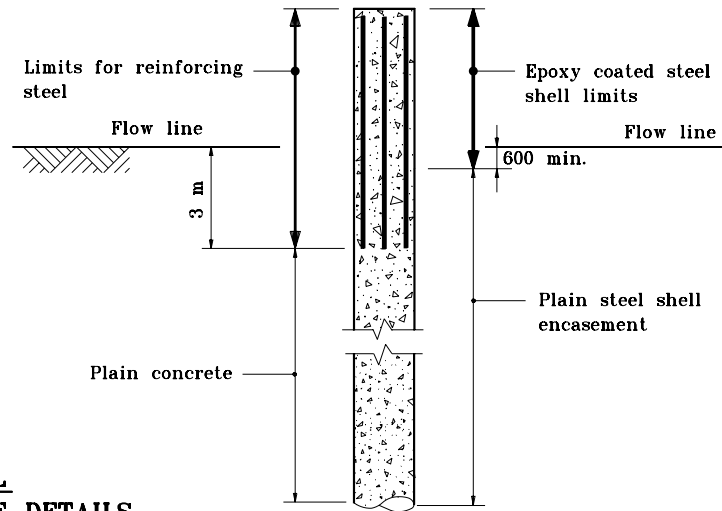
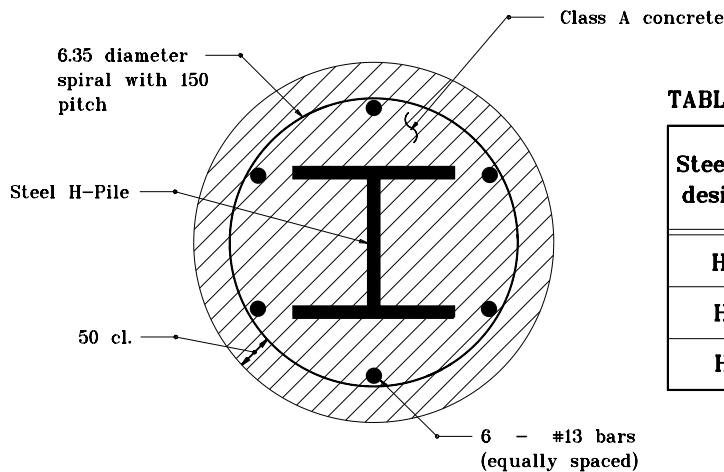


PLAN

**EPOXY COATED STEEL SHELL
ENCASED REINFORCED CONCRETE PILE DETAILS**



SECTION A-A



PLAN

**STEEL H - PILES
REINFORCED CONCRETE ENCASSED DETAIL**

TABLE OF MATERIALS

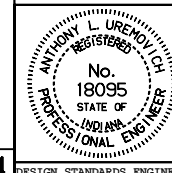
Steel H-Pile designation	Minimum pile diameter	Reinforcing steel kg/m	Class A concrete m ³ /m
HP 360	700	5.96	0.38
HP 310	610	5.96	0.29
HP 250	540	5.96	0.23

All dimensions are in mm unless otherwise specified.

INDIANA DEPARTMENT OF TRANSPORTATION

**REINFORCED CONCRETE
PILE DETAILS**
MAY 1998

STANDARD DRAWING NO. 701-BPIL-02



/s/ Anthony L. Uremovich 5-01-98
DESIGN STANDARDS ENGINEER DATE

/s/ Donald W. Lucas 5-01-98
CHIEF HIGHWAY ENGINEER DATE