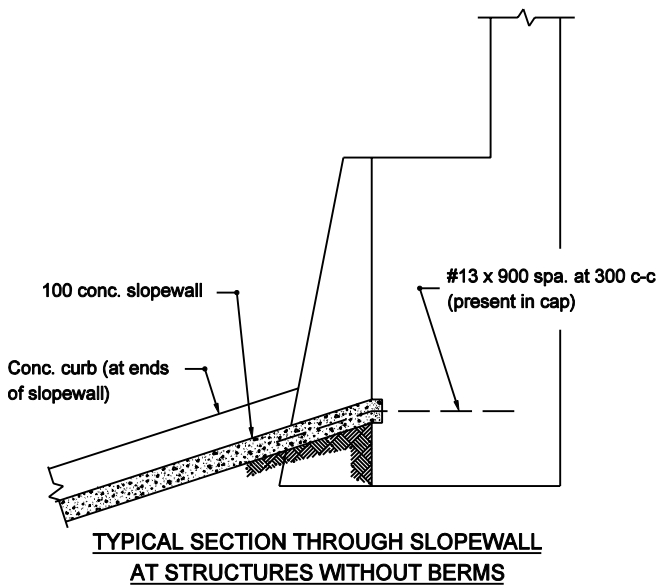


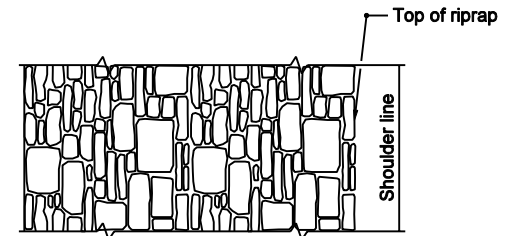
**SECTION THROUGH CONCRETE SLOPEWALL**



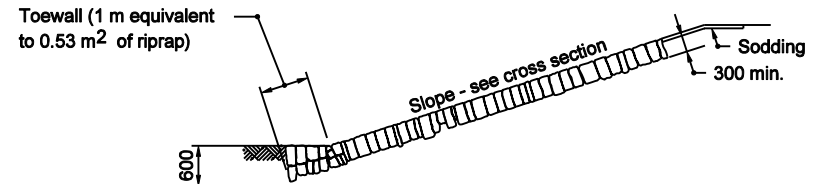
**TYPICAL SECTION THROUGH SLOPEWALL AT STRUCTURES WITHOUT BERMS**

**GENERAL NOTES**

1. See Section F-F on Standard Drawing 616-SWCO-03 for Section C-C.
2. When hand-laid riprap is used under a structure, drainage configuration similar to that shown for precast concrete riprap shall be used. See Standard Drawing 616-SWRR-02 for such configuration.
- ③ Toewall is not required adjacent to piers or bents.



**PLAN**



**SECTION THROUGH HAND-LAID RIPRAP**

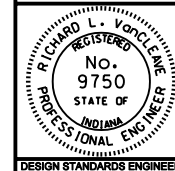
All Dimension are in mm unless otherwise specified

INDIANA DEPARTMENT OF TRANSPORTATION

**CONCRETE AND RIPRAP SLOPEWALL DETAILS**

SEPTEMBER 2003

STANDARD DRAWING NO. 616-SWCO-04



/s/ Richard L. VanCleave 9-02-03  
DESIGN STANDARDS ENGINEER DATE

/s/ Richard K. Smutzer 9-02-03  
CHIEF HIGHWAY ENGINEER DATE

DESIGN STANDARDS ENGINEER