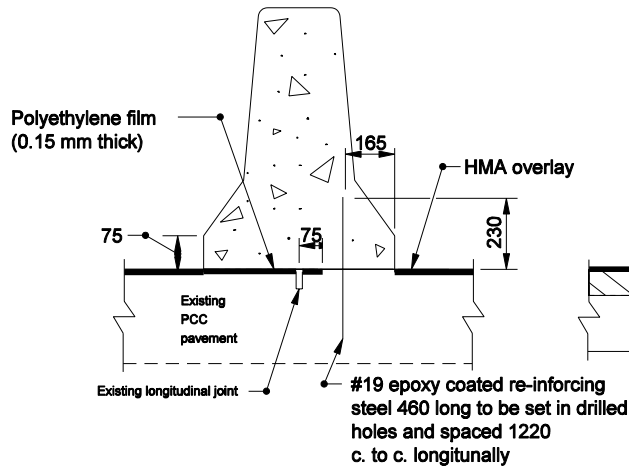
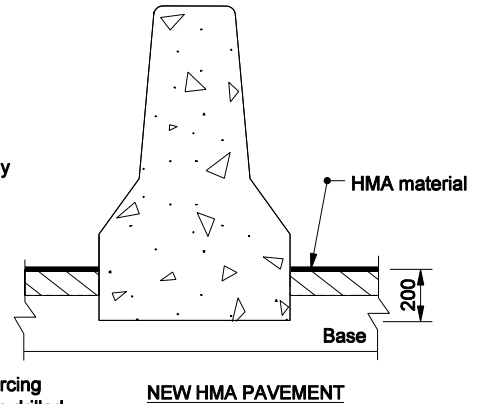


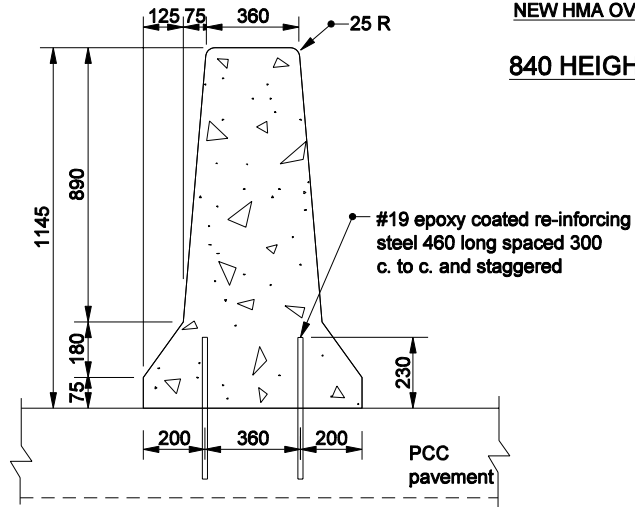
NEW PCC PAVEMENT



NEW HMA OVERLAY OVER EXISTING PCC PAVEMENT



NEW HMA PAVEMENT



CONCRETE BARRIER WITH PCC PAVEMENT

1145 HEIGHT CONCRETE BARRIER WALL

840 HEIGHT CONCRETE BARRIER WALL

NOTES:

- ① 13 Preformed Joint Filler.

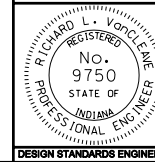
All Dimensions are in mm unless otherwise specified

INDIANA DEPARTMENT OF TRANSPORTATION

CONCRETE BARRIER DETAILS

MARCH 2006

STANDARD DRAWING NO. 602-CCMB-04



/s/ Richard L. VanCleave 3-01-06
DESIGN STANDARDS ENGINEER DATE

/s/ Richard K. Smutzer 3-01-06
CHIEF HIGHWAY ENGINEER DATE

DESIGN STANDARDS ENGINEER