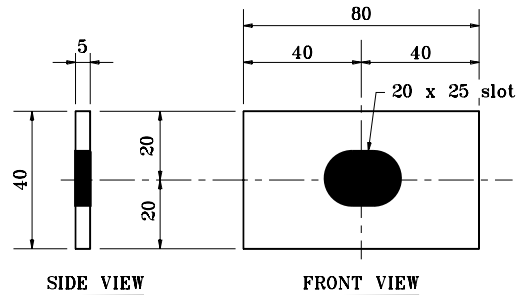
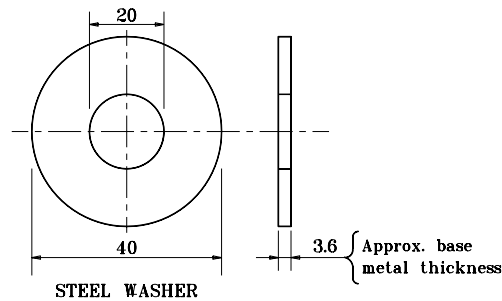


**M16 BUTTON HEAD BOLT**

L	THREAD LENGTH
30	Full Length Thread
50	40 Min. Thread Length
240	45 Min. Thread Length
460	60 Min. Thread Length
640	50 Min. Thread Length



**RECTANGULAR PLATE WASHER**



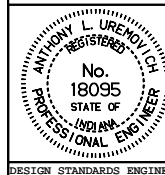
**WASHER FOR M16 BOLT**

All dimensions are in mm unless otherwise specified.

INDIANA DEPARTMENT OF TRANSPORTATION

**W-BEAM  
GUARDRAIL COMPONENTS**  
MAY 2000

STANDARD DRAWING NO. **601-WBGC-02**



/s/ Anthony L. Uremovich 5-01-00  
DESIGN STANDARDS ENGINEER DATE

/s/ Firooz Zandi 5-01-00  
CHIEF HIGHWAY ENGINEER DATE

DESIGN STANDARDS ENGINEER