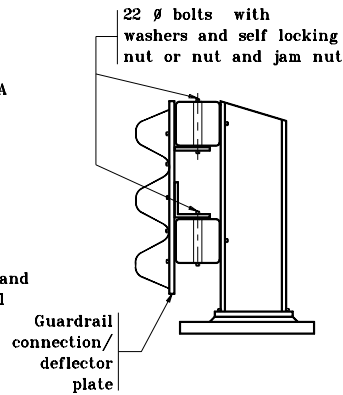
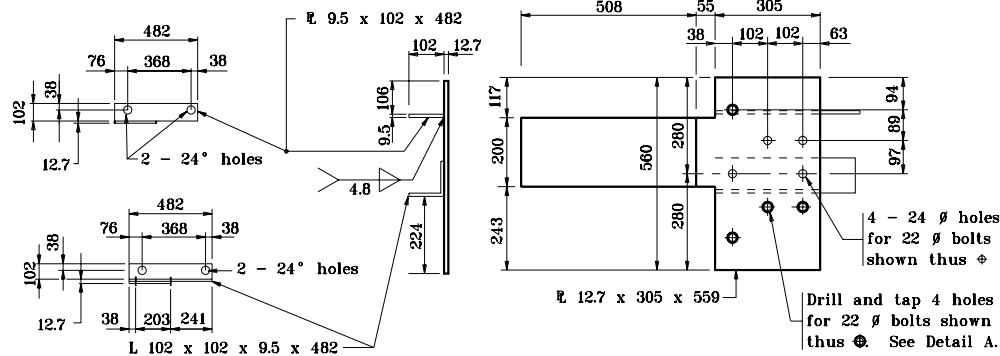


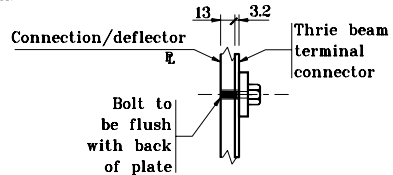
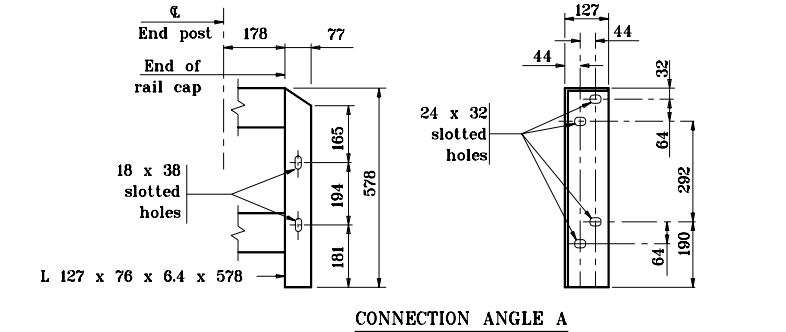
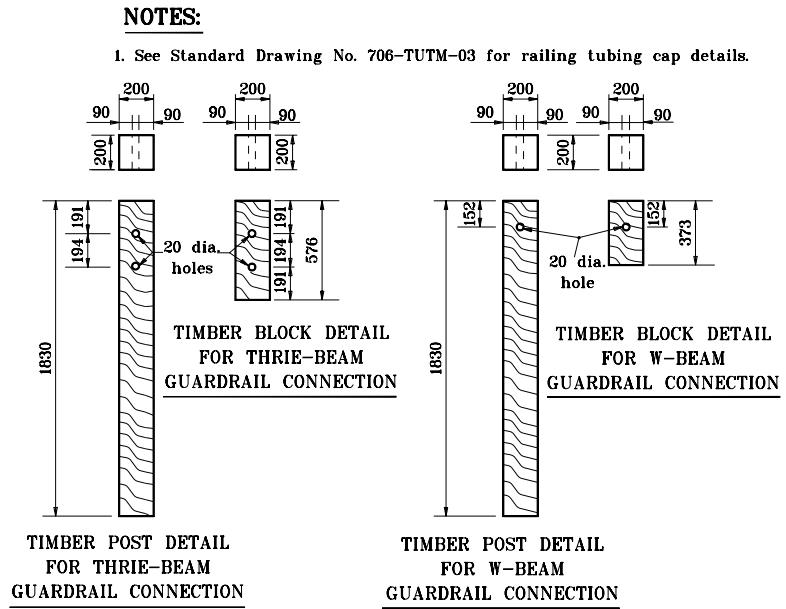
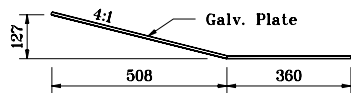
ELEVATION - TRANSITION CONNECTION



SECTION C - C



GUARDRAIL CONNECTION/DEFLECTOR PLATE DETAILS



DETAIL A

All dimensions are in mm unless otherwise specified.

INDIANA DEPARTMENT OF TRANSPORTATION

GUARDRAIL TRANSITION, TGT

MAY 2000

STANDARD DRAWING NO. 601-TTGT-02

	/s/ Anthony L. Uremovich 5-01-00 DESIGN STANDARDS ENGINEER DATE
	/s/ Firooz Zandi 5-01-00 CHIEF HIGHWAY ENGINEER DATE

DESIGN STANDARDS ENGINEER