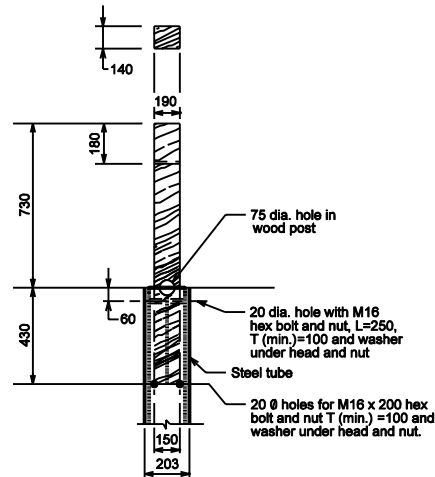


**NESTED W-BEAM GUARDRAIL
ASSY. WITH MODIFIED POSTS
OVER STRUCTURE WIDTH
(POSTS 5 TO 10)**



POST DETAIL

NOTES:

- ① Use modified guardrail posts.

All Dimension are in mm unless otherwise specified

INDIANA DEPARTMENT OF TRANSPORTATION

**GUARDRAIL ASSEMBLY FOR
STRUCTURE WIDTH > 7400**

SEPTEMBER 2001

STANDARD DRAWING NO. 601-NWGA-03



/s/ Richard L. VanCleave 9-04-01
DESIGN STANDARDS ENGINEER DATE

/s/ Firooz Zandi 9-04-01
CHIEF HIGHWAY ENGINEER DATE

DESIGN STANDARDS ENGINEER