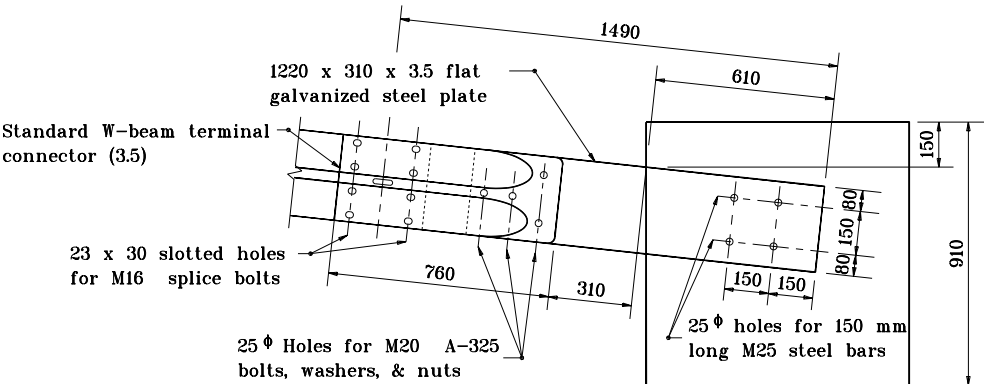
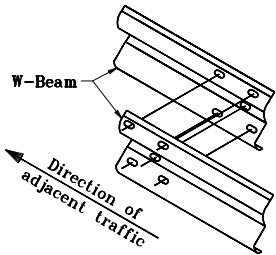


GENERAL NOTES

1. This sheet shall be used when guardrail end treatment type I is specified.
2. The details on this sheet are for the assembly and installation of the components of guardrail end treatment type I.
- ③ The top of rail height at this post shall match the height of the adjacent guardrail.
4. Installation of guardrail end treatment type I at the end of a run of rub-rail type guardrail shall require the relocation of the rub-rail as shown.
- ⑤ See Standard Drawing 601-GRET-04 for Post No. 2 Connection Detail.
6. If rub-rail is not spliced at post, the channel shall be cut and repositioned behind the flange.
7. If rub-rail is spliced at post, the splice material shall be removed and the channel shall be repositioned behind the flange.

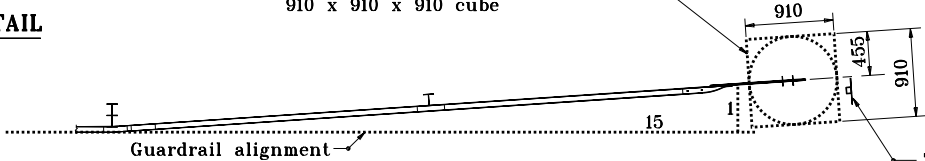


CONCRETE ANCHOR DETAIL

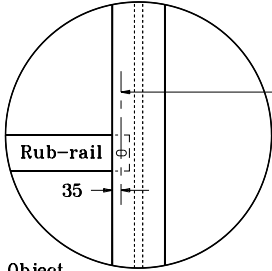


LAP DETAIL

Class A concrete anchor shall be 910 x 910 deep cylinder or 910 x 910 x 910 cube

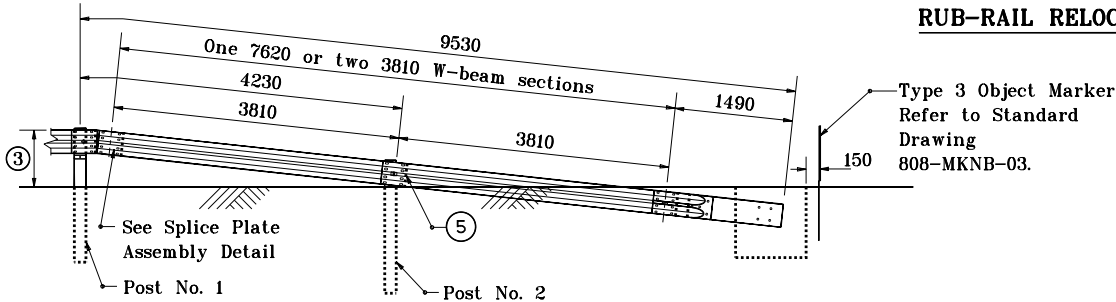


PLAN



20 x 50 slot in channel
20 hole in flange.
Install M16 hex bolt with hex nut and 2 cut washers.

RUB-RAIL RELOCATION DETAIL



Post No. 1 & No. 2 length = 1830

ELEVATION

All dimensions are in mm unless otherwise specified.

INDIANA DEPARTMENT OF TRANSPORTATION

**GUARDRAIL
END TREATMENT TYPE I**

NOVEMBER 1995

STANDARD DRAWING NO. 601-GRET-05



/s/ Anthony L. Uremovich 11-01-95
DESIGN STANDARDS ENGINEER DATE

/s/ Donald W. Lucas 11-01-95
CHIEF HIGHWAY ENGINEER DATE

Source Sheet: E-1