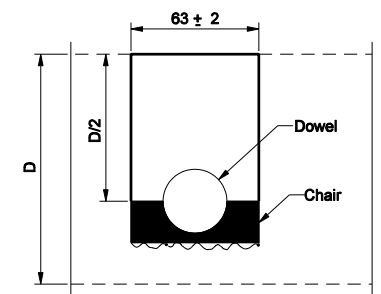


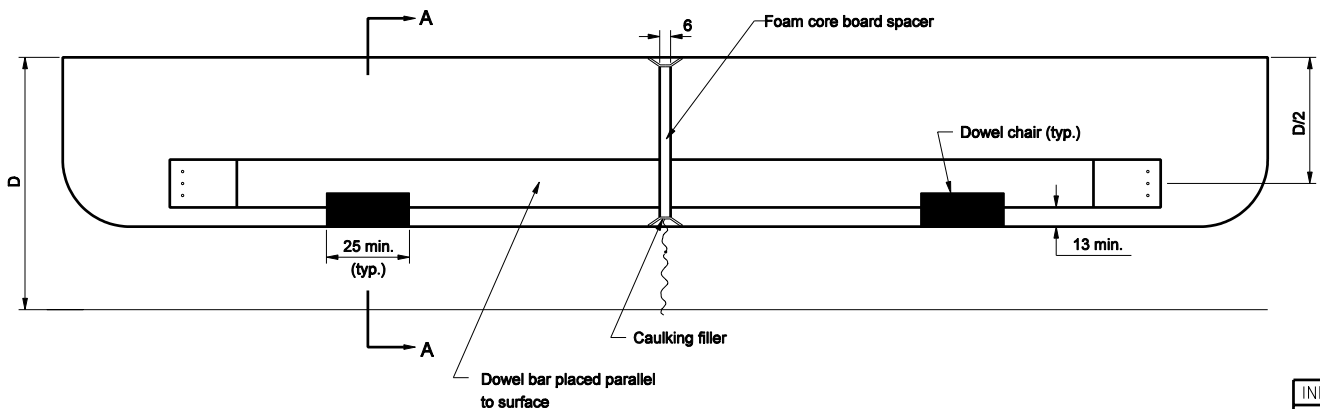
PLAN

NOTES:

1. For dowel slot layout requirements, see Standard Drawing 305-RLTC-02.



SECTION A-A



ELEVATION

DOWEL SLOT DETAILS

DOWEL BAR SIZES	
Pavement Thickness D	Minimum Dowel Bar Diameter
Less than 300	32
Greater than or equal to 300	38

All dimensions are in mm unless otherwise specified

INDIANA DEPARTMENT OF TRANSPORTATION

RETROFIT LOAD TRANSFER FOR PCCP

SEPTEMBER 2004

STANDARD DRAWING NO. 507-RLTC-01

	/s/ Richard L. VanCleave	9-01-04
	DESIGN STANDARDS ENGINEER	DATE
	/s/ Richard K. Smutzer	9-01-04
	CHIEF HIGHWAY ENGINEER	DATE

DESIGN STANDARDS ENGINEER