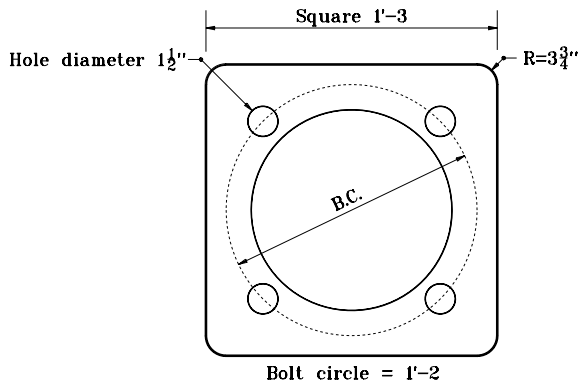
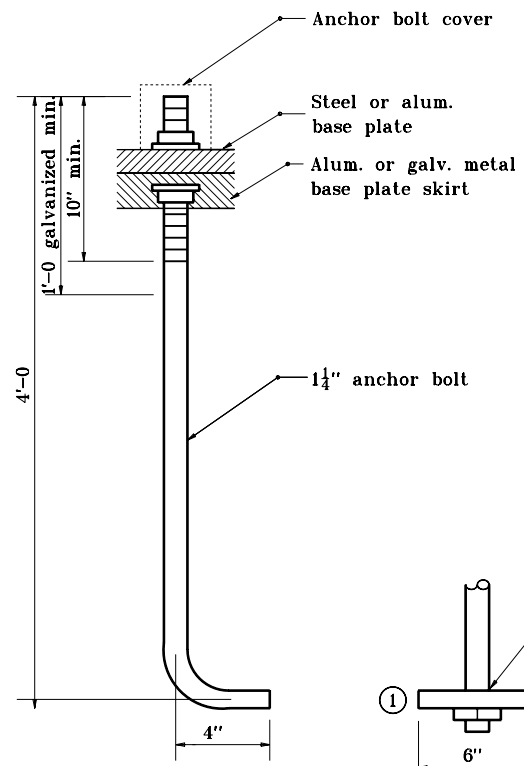


**GENERAL NOTES**

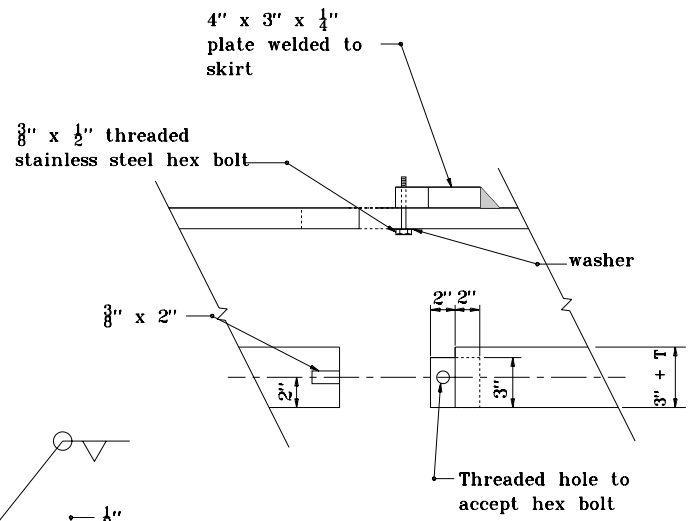
① Alternate 6" x 6" x 1/2" sq. washer with hex nut welded to lower end.



**STEEL BASE PLATE DETAIL**

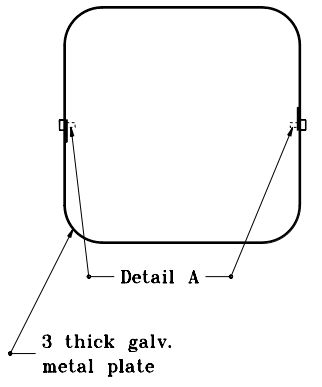


**DETAIL D**



T = Thickness of anchor base

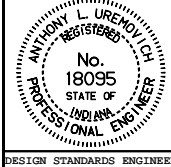
**DETAIL A**



**METAL COVER DETAIL**

INDIANA DEPARTMENT OF TRANSPORTATION  
**SIGNAL CANTILEVER ANCHOR BOLTS, PLATES, AND COVERS**  
 SEPTEMBER 1998

STANDARD DRAWING NO. **E 805-SGMA-05**



DETAILS PLACED IN THIS FORMAT 11-15-99

/s/ Anthony L. Uremovich 11-15-99  
 DESIGN STANDARDS ENGINEER DATE

/s/ Firooz Zandi 11-15-99  
 CHIEF HIGHWAY ENGINEER DATE

DESIGN STANDARDS ENGINEER ORIGINALLY APPROVED 9-01-98