

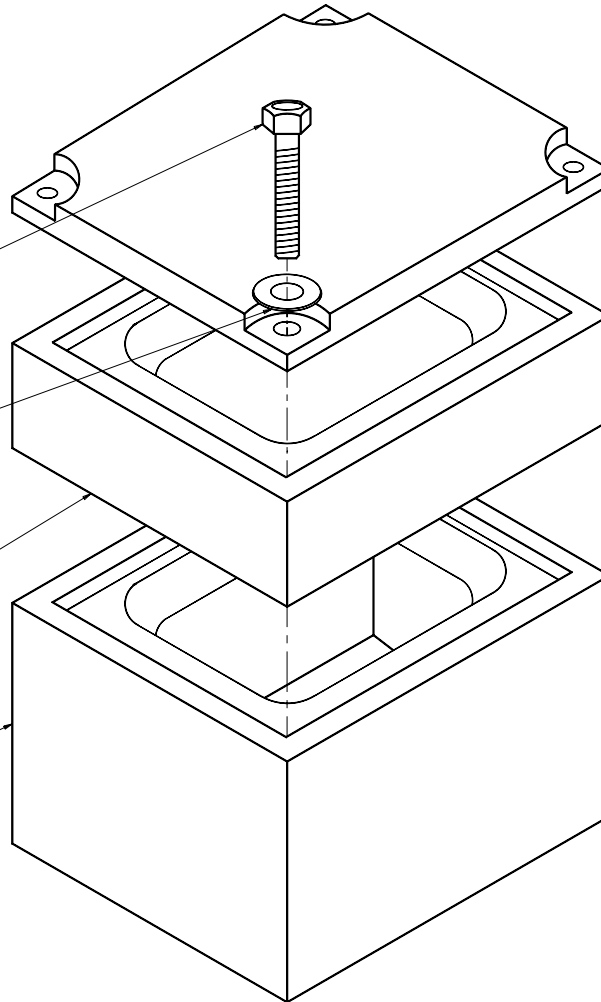
CROSS SECTION OF HOUSING ADAPTOR

1/2" x 4" hex head stainless steel bolt
(4 required) threaded 3 1/2"

Stainless steel washer
1/2" (4 required)

Detector housing adaptor

Detector housing



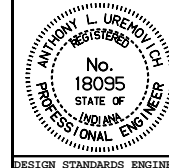
INDIANA DEPARTMENT OF TRANSPORTATION

**DETAILS OF DETECTOR
HOUSING ADAPTER**

MARCH 1995

STANDARD DRAWING NO. **E 805-SGDH-03**

DETAILS PLACED IN THIS FORMAT 11-15-99



/s/ Anthony L. Uremovich 11-15-99
DESIGN STANDARDS ENGINEER DATE

/s/ Firooz Zandi 11-15-99
CHIEF HIGHWAY ENGINEER DATE

DESIGN STANDARDS ENGINEER

ORIGINALLY APPROVED 3-01-95