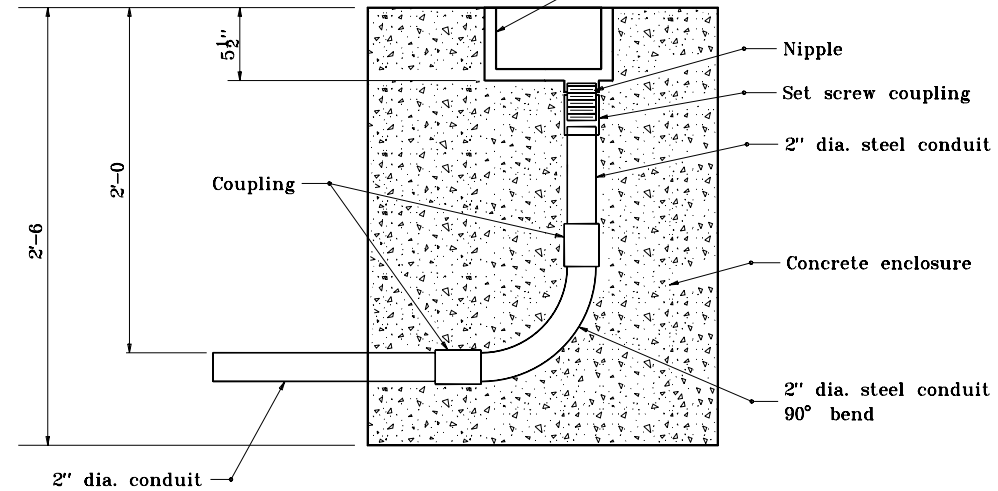


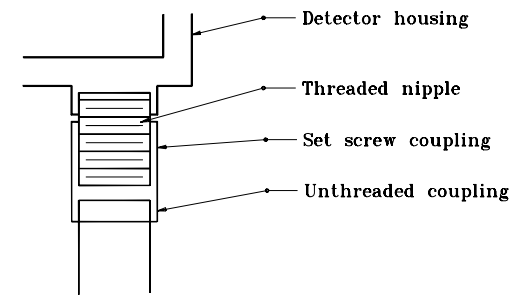
Concrete enclosure



SECTION A-A

GENERAL NOTES

① See Standard Drawing E 805-SGDH-02 for detector housing detail.



DETECTOR HOUSING COUPLING DETAIL

| | |
|--------------------------------------|---|
| INDIANA DEPARTMENT OF TRANSPORTATION | |
| INSTALLATION DETAIL | |
| DETECTOR HOUSING | |
| SEPTEMBER 1998 | |
| STANDARD DRAWING NO. E 805-SGDH-01 | |
| | DETAILS PLACED IN THIS FORMAT 11-15-99 /s/ Anthony L. Uremovich 11-15-99 DESIGN STANDARDS ENGINEER DATE |
| | /s/ Firooz Zandi 11-15-99 CHIEF HIGHWAY ENGINEER DATE |
| | ORIGINALLY APPROVED 9-01-98 |