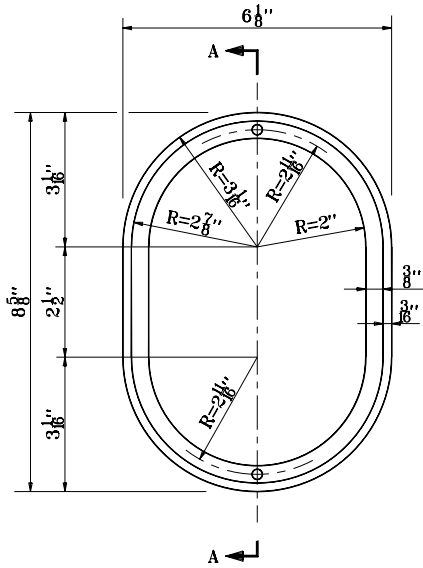
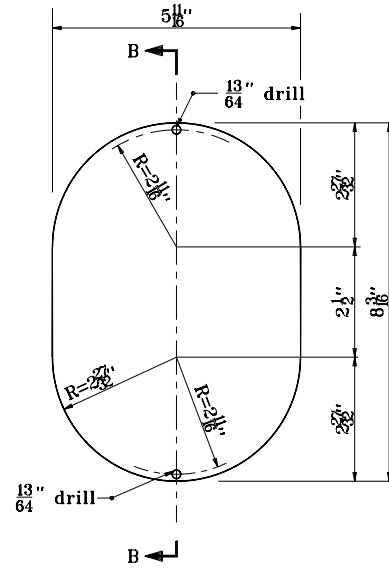


GENERAL NOTES

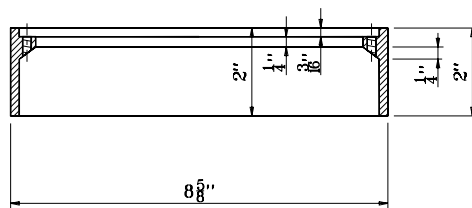
1. Drill and tap (thru) two- $\frac{1}{8}$ " dia. holes with $\frac{3}{16}$ " threads.
2. Two-Stainless Steel $\frac{3}{16}$ " x $\frac{1}{2}$ " dia. round-head phillips machine screws required.
3. Sand-Cast Aluminum Alloy.



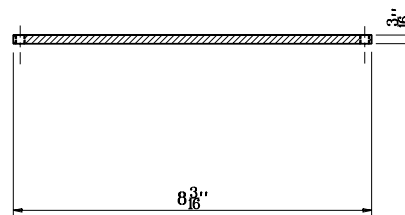
ELECTRICAL CONDULET



CONDULET COVER



SECTION A-A



SECTION B-B

| | |
|------------------------------------------------|--------------------------------------------------------------------|
| INDIANA DEPARTMENT OF TRANSPORTATION | |
| ALUMINUM STRUCTURE CONDULET DETAILS | |
| SEPTEMBER 2001 | |
| STANDARD DRAWING NO. E 802-SNOH-09 | |
| | /s/ Anthony L. Uremovich 9-04-01 DESIGN STANDARDS ENGINEER DATE |
| | /s/ Firooz Zandi 9-04-01 CHIEF HIGHWAY ENGINEER DATE |
| DESIGN STANDARDS ENGINEER | |