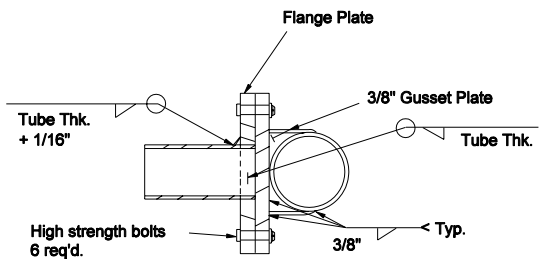
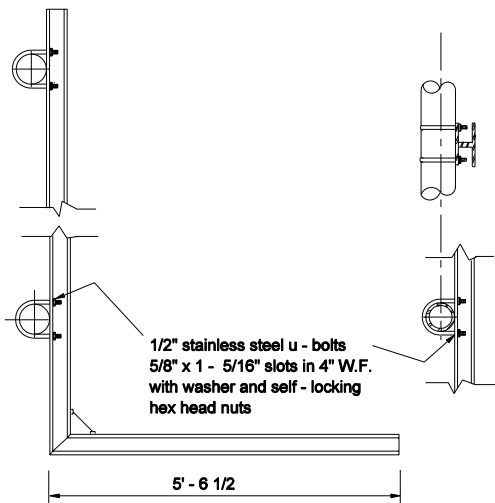


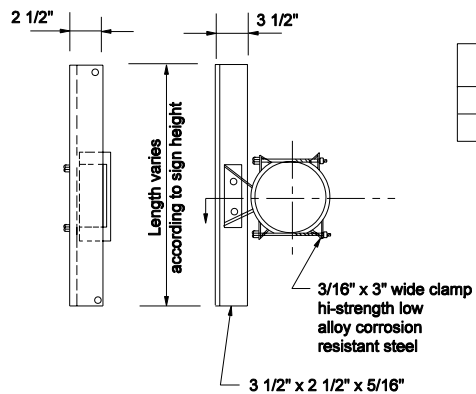
**CAMBER FOR CANTILEVER**



**CANTILEVER ARM ATTACHMENT**



**WALKWAY SUPPORT BRACKET**



**SINGLE MASTARM  
SIGN BRACKET ASSEMBLY**

**ARM FLANGE PLATE TIGHTENING  
POLE AND ARM PLATE BOLTS TENSION TABLE**

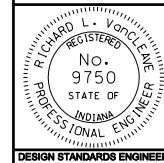
BOLT SIZE ( INCH )	TENSION ( KIPS )
1.5	59
2	105

INDIANA DEPARTMENT OF TRANSPORTATION

**OVERHEAD CANTILEVER  
SIGN DETAILS**

MARCH 2004

STANDARD DRAWING NO. E 802-SNOC-02



/s/ Richard L. VarCleave 3-01-04  
DESIGN STANDARDS ENGINEER DATE

/s/ Richard K. Smutzer 3-01-04  
CHIEF HIGHWAY ENGINEER DATE

DESIGN STANDARDS ENGINEER