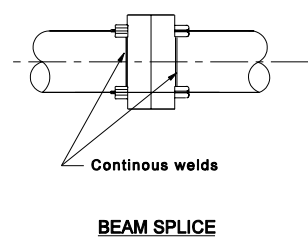
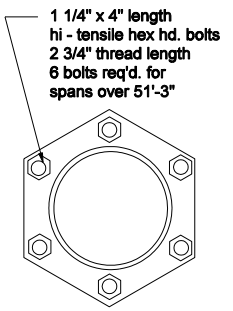
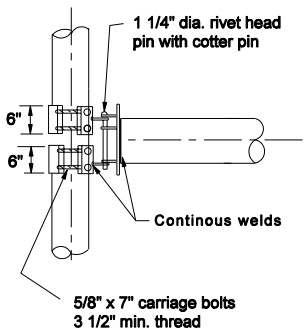


OVERHEAD BRIDGE



All Dimensions are in mm unless otherwise specified

INDIANA DEPARTMENT OF TRANSPORTATION

OVERHEAD SIGN BRIDGE SPANS

MARCH 2004

STANDARD DRAWING NO. E 802-SNOB-01

	/s/ Richard L. VarCleave	3-01-04
	DESIGN STANDARDS ENGINEER	DATE
	/s/ Richard K. Smutzer	3-01-04
DESIGN STANDARDS ENGINEER	CHIEF HIGHWAY ENGINEER	DATE