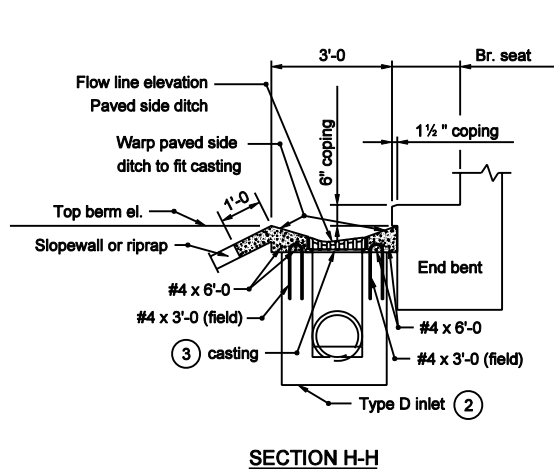
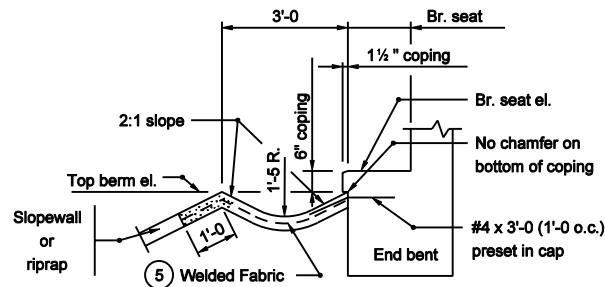


PLAN
(to be used on structures with berms)



SECTION H-H



SECTION K-K

NOTES

1. Precast concrete riprap may be used as an alternate to concrete slopewall only on those structures having berms adjacent to caps.
2. For additional details of type D inlet, see Standard Drawing E 720-INST-03.
3. For appropriate casting, see Standard Drawing E 720-CDSC-01.
4. Welded fabric shall be placed within the middle third of slopewall thickness and shall extend through all construction joints.
5. WWF 6" x 6", W3 x W3 at 42 lb/100 sq. ft., or equivalent; or standard pavement fabric reinforcing of 42 lb/100 sq. ft minimum. Wire fabric shall be furnished in flat sheets unless otherwise specified.

INDIANA DEPARTMENT OF TRANSPORTATION	
SLOPEWALL AND DRAINAGE DETAILS	
SEPTEMBER 2003	
STANDARD DRAWING NO. E 616-SWCO-07	
	/s/ Richard L. VanCleave 9-02-03 DESIGN STANDARDS ENGINEER DATE
	/s/ Richard K. Smutzer 9-02-03 CHIEF HIGHWAY ENGINEER DATE
DESIGN STANDARDS ENGINEER	